



# **Parts Manual**

## **Onan Generator Set for RV**

HGLAA (Spec A)



## Table of Contents

<b>Description</b>	<b>Page</b>
Safety Precautions .....	2
About This Manual .....	3
Quick Serve Online (QSOL) .....	4
Related Literature .....	4
Model Identification .....	5
Abbreviations .....	6
Consumables .....	7
Service Consumables .....	7
Paint and Thread Sealant .....	7
Engine .....	9
Fuel System .....	10
Harness .....	14
Air Filter .....	17
Engine Cooling .....	18
Control .....	19
Enclosure .....	20
PMA .....	24
Exhaust .....	25
Muffler Accessory Kit .....	26
Kits .....	38
Engine Service Parts .....	39

## Safety Precautions

The following symbols are used in Cummins manuals to alert users to the potentially dangerous conditions relating to maintenance of equipment and replacement of parts. Please read and observe.



*This symbol warns of immediate hazards which will result in severe personal injury or death.*



*This symbol refers to a hazard or unsafe practice which can result in severe personal injury or death.*



*This symbol refers to a hazard or unsafe practice which can result in severe personal injury or product or property damage.*

## Product Safety Precautions

Before operating the generator set, read the manuals and become familiar with them and the equipment. Safe and efficient operation can be achieved only if the equipment is properly operated and maintained. Many accidents are caused by failure to follow fundamental rules and precautions.



**Note:**

**It is in the Operator's interest to read and understand all Health and Safety information together with all Warnings and Cautions contained within the documentation relevant to the generator set, its operation and daily maintenance.**



**Improper operation and maintenance can lead to severe personal injury or loss of life and property by fire, electrocution, mechanical breakdown or exhaust gas asphyxiation. Read and follow all safety precautions in the health and safety manual 0908-0110.**



**Service and repair of Cummins equipment must be performed by trained, experienced personnel only. Improper service, repair or replacement of parts may result in damage to equipment & property, severe personal injury or death. Do not use this catalog as a guide to servicing your equipment. Read and follow the IMPORTANT SAFETY INSTRUCTIONS in the Service Manual appropriate for the equipment you are working on.**



**Contact with USED ENGINE OILS has been identified by a United States federal agency and some USA state agencies as causing CANCER or REPRODUCTIVE TOXICITY. When checking or changing engine oils take all necessary precautions not to ingest, breathe the fumes or contact the used oil.**



**Contact with ASBESTOS has been identified by a United States federal agency and some USA state agencies as causing CANCER or REPRODUCTIVE TOXICITY. When handling engine gaskets take all necessary precautions not to ingest, breathe or contact the dust from the gaskets! Use adequate ventilation and wear protective gloves, masks and clothing!**



**Contact with BENZINE and LEAD, found in gasoline, fuel additives and solvents has been identified by a United States federal agency and some USA state agencies as causing CANCER or REPRODUCTIVE TOXICITY. When checking, draining or adding gasoline and fuel additives or using solvents take all necessary precautions not to ingest, breathe the fumes or contact the liquids. Use adequate ventilation and wear protective gloves, masks and protective clothing!**

## About This Manual

This manual applies to the generator model HGLAA. Parts illustrations are arranged in groups relating to their position and function on the generator set. Each part illustrated is identified by a reference number corresponding to the list of part numbers in the accompanying table.

Engine and alternator parts that have been modified or added by Cummins are identified in this manual. Contact your nearest authorized distributor for assistance in ordering replacement parts. All other replacement parts must be ordered from the engine/alternator manufacturer by referring to the item nameplate and supplying all available information.

Cummins Generator Model	Loncin Engine Model
HGLAA	LC175FD-3

**Generator Set Data Table**

Model and Specification	Electrical Data					Battery Voltage	Fuel Type
	Watts	Volts	Hertz	Wire	Phase		
HGLAA/*	2800	120	60	3L	1	12VDC	Gas
HGLAA/*	2500	120	60	3L	1	12VDC	LP

\* – The diagonal line (/) in the model and specification number separates generator set characteristics from the specification number and letter. The specification number denotes customer requested options or deviations from the standard model. The specification letter advances (A to B, B to C, etc.) with major manufacturing changes.

## **Quick Serve Online (QSOL)**

Documentation and operator manuals pertaining to the generator set are available on QuickServe Online.

QuickServe Online: <https://quickserve.cummins.com/info/index.html>

The information contained within this manual is based on information available at the time of going to print. In line with Cummins policy of continuous development and improvement, information may change at any time without notice. Obtain the most up to date version available on QuickServe Online or contact your authorized distributor for assistance.

## **Related Literature**

The related literature that is appropriate to your generator set includes:


- Installation Manual (A062Y984)
- Operator Manual for Generator Set (A062Y985)
- Service Manual for Generator Set (A062Y986)
- Recommended Stock List (RSL) (A062Z023)
- Standard Repair Times (SRT) (A062Z021)
- Quick Start Guide (RV/CM) (A062P264)

If further information is required, contact your authorized distributor.

## Model Identification

This manual covers generator set models produced under the Cummins name.

To avoid errors or delay in filling your parts order, always state the MODEL and SERIAL NUMBER from the Cummins nameplate.

IMPORTANT ENGINE INFORMATION		
	<b>CUMMINS POWER GENERATION</b> 1400 73rd Ave. NE Minneapolis, MN 55432	
Model No: _____	Made in U.S.A.	
S/N: _____	PH: _____	
AC Volts: _____	kVA: _____	kW: _____
Amps: _____	Pf: _____	RPM: _____
Fuel: _____	Hz: _____	Bat: _____
Options: _____	Wiring Diagram: _____	
Insulation - NEMA Class _____	Ambient _____	
The engine family designation, engine displacement, statement of compliance with the applicable EPA and / or California emissions regulations, including the compliance period or category, appear in this block on the actual nameplate on the genset.		

The engine serial number is located on a data tag on the engine or is stamped on the engine block.

The control software number is located on the electronic control module (ECM) or can be obtained via the digital interface if one is available.

**For reference document your generator set information in the spaces below.**

Generator Set Model Number: \_\_\_\_\_

Generator Set Serial Number: \_\_\_\_\_

Generator Spec Letter: \_\_\_\_\_

Engine Serial Number: \_\_\_\_\_

Digital Control Software: \_\_\_\_\_

## Abbreviations

Some of the following abbreviations may be used throughout this Parts Manual:

AC	Alternating Current	LED	Light-Emitting Diode
ACB	Air Circuit Breaker	LTP	Limited Time Power Rating
ACH	Anti-Condensations Heaters	LTA	Low Temperature Aftercooling
ATS	Automatic Transfer Switch	LV	Low Voltage
Amp	Ampere	M	Meter
A/R	As Required	MCB	Miniature Circuit Breaker
AVR	Automatic Voltage Regulator	MCCB	Moulded Case Circuit Breaker
AWG	American Wire Gauge	MF	Mains Failed
BHP	Brake Horsepower	MFSS	Master First Start Sensor
BMS	Building Measurement System	mm	Millimeter
BST	Busbar Sensing Transformer	MOH	Mobile Off Highway
CAN	Controlled Area Network	MR	Mains Returned
CB	Circuit Breaker	MST	Mains Sensing Transformer
CCA	Cold Cranking Amps	MSU	Mains Sensing Unit
CHP	Combined Heat and Power	MV	Medium Voltage
COP	Continuous Power Rating	NEC	Neutral Earthing Contact
CT	Current Transformer	NFS	Not For Sale
		NPT	National Pipe Thread
dB(A)	Unit of noise level	OD	Outside Diameter
DC	Direct Current	oz.	Ounce
Deg	Degree	PC	PowerCommand 3.3
DIP	Dual In-line Package	PC	Printed Circuit
DMC	Digital Master Control	PF	Power Factor
DMSU	Demand Load Standby Unit	Ph	Phase
ECM	Engine Control Module	PFC	Power Factor Controller
EFC	Electronic Fuel Control	PLC	Programmable Logic Controller
EIT	External/Internal Tooth	PMG	Permanent Magnet Generator
EMCU	Engine Monitoring and Control Unit	PRP	Prime Power Rating
EMF	Electromotive Force	PSU	Power Supply Unit
EPROM	Erasable Programmable Read Only Memory	PT/CT	Potential Transformer/Current Transformer
EPU	Engine Protection Unit	PTC	Power Transfer Control
ET	External Tooth	QCC	Quadrature Current Control
FAE	Full Authority Engine	RFI	Radio Frequency Interference
FSS	First Start Sensor	RMS	Root Mean Square
GCP	Generator Control Panel	RPM	Revolutions Per Minute
GFI	Ground Fault Interrupter	RT	Right
GKWT	Global Kilowatt Transducer	RTD	Resistance Temperature Detector
HMI	Human/Machine Interface	Spec	Specification
HV	High Voltage	Thk	Thick
IC	Integrated Circuit	UL	Underwriters Laboratories Inc.
ID	Inside Diameter	UNC	Union National Coarse
IEC	International Electrotechnical Commission	UNF	Union National Fine
I/O	Input / Output	V	Volts
IT	Internal Tooth	VAC	Volts, Alternating Current
kVA	Apparent Power	VCB	Vacuum Circuit Breaker
kVAR	Reactive Power	VDC	Volts, Direct Current
kW	Active / Real Power (Kilowatt)	VF	Volt-free
kWh	Unit of electrical energy or work	VT	Voltage Transformer
LPG	Liquid Petroleum Gas	W/(ET, IT, EIT)	With
LT	Left		



## Consumables

The following is a list of consumables associated with the generator models covered in this manual:

### Service Consumables

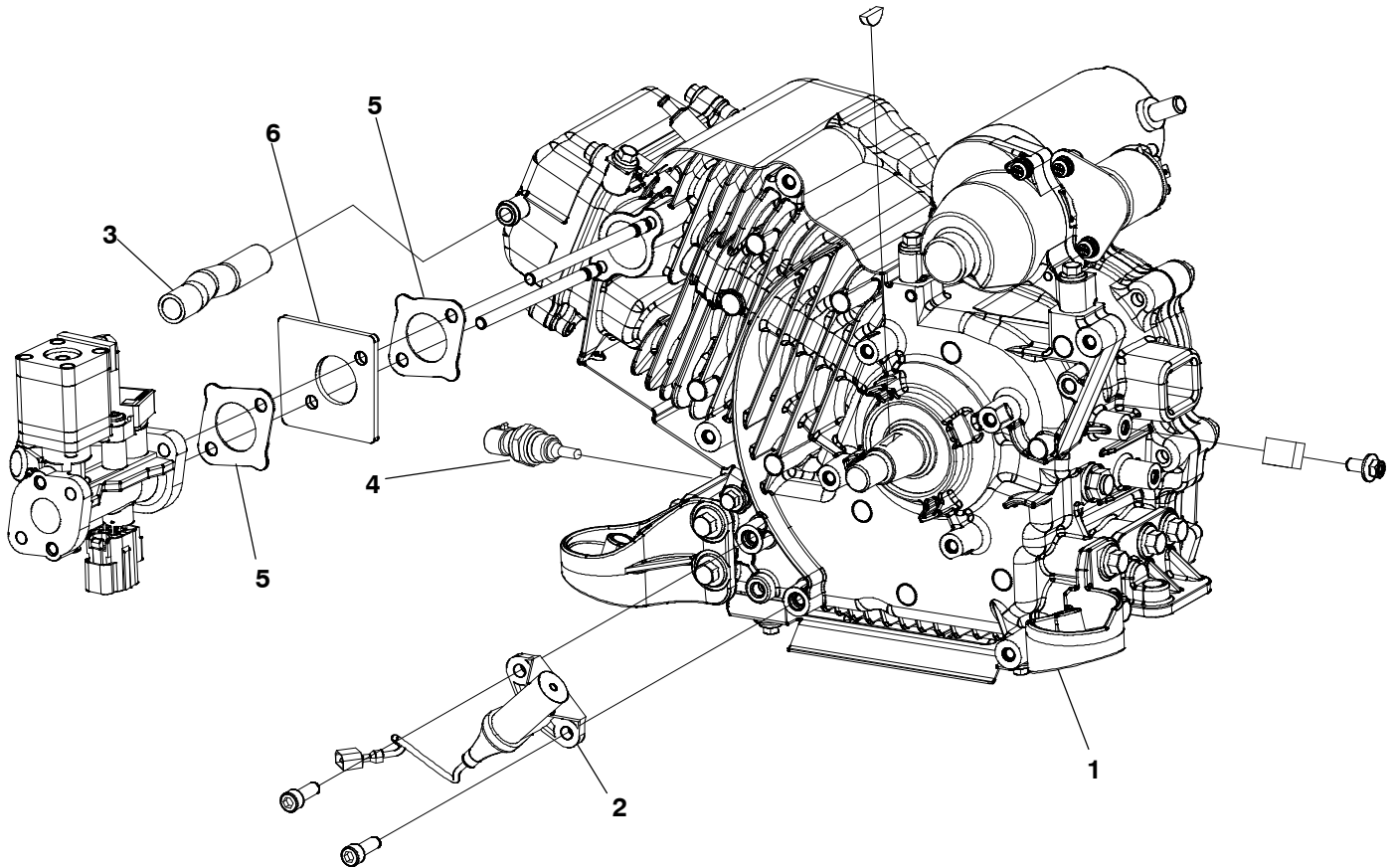
Ref. Page No.	Part No.	Description	Qty
39	A063D063	Plug, Spark	1
28	A063C686	Filter, Breather	1
17	A030Y328	Filter, Air	1
11	A062A970	Filter, Fuel	1

### Paint and Thread Sealant

Item	Part No.	Description	Qty
1	525-0305	Onan Green Enamel (Non-Metallic) 12 oz. Pressurized Spray Can	n/a

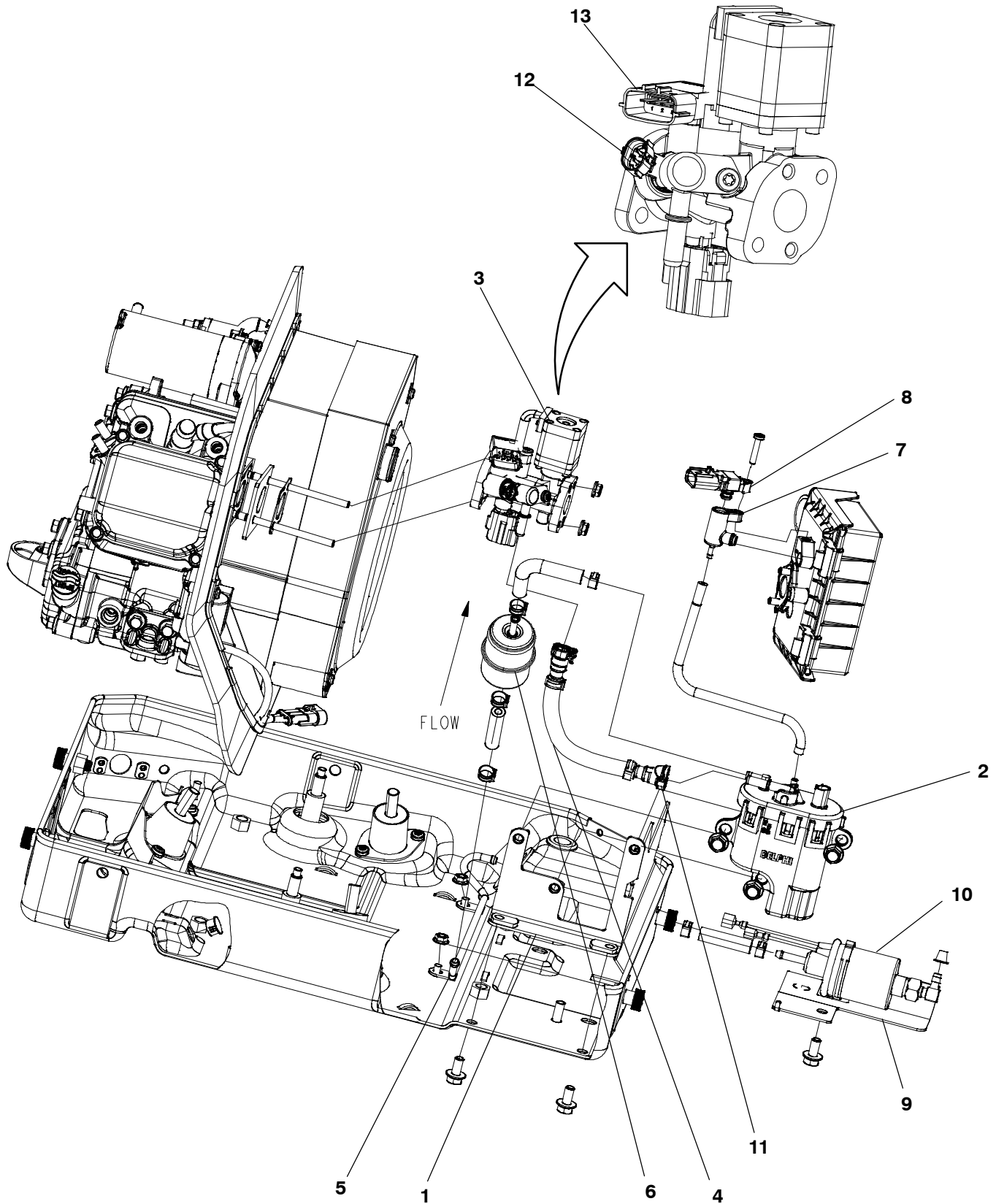
This page is Intentionally blank.

**Engine  
 Gasoline**



Item	Part No.	Description	Qty
1	A057K555	Engine, Spark Ignited	1
2	A059L176	Tachometer	1
3	A060K886	Pipe, Breather	1
4	A041J068	Sensor, Oil Temperature	1
5	A063E055	Gasket, Intake Manifold	2
6	A063E056	Spacer	1

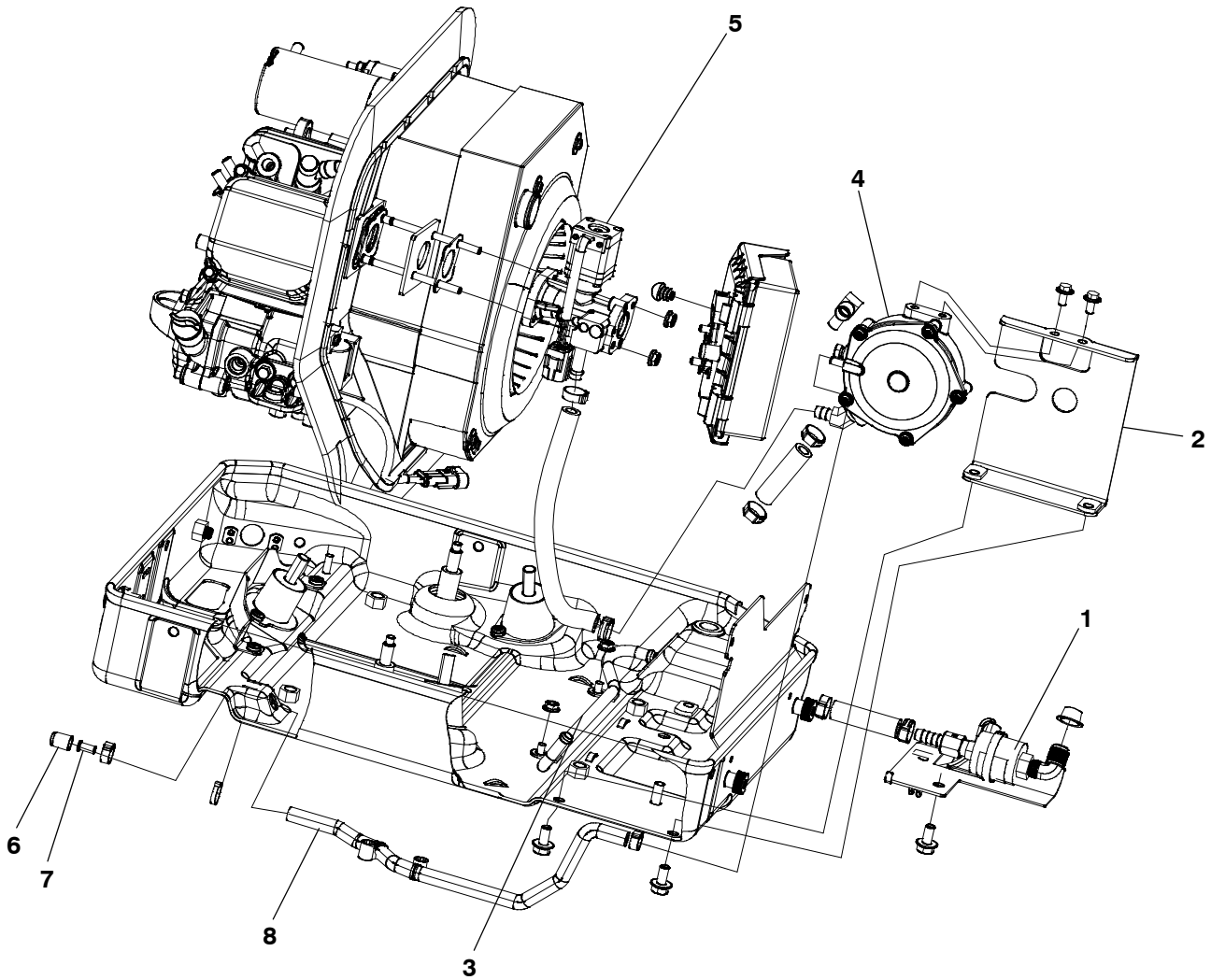
## Fuel System Gasoline



## Fuel System (Gasoline)

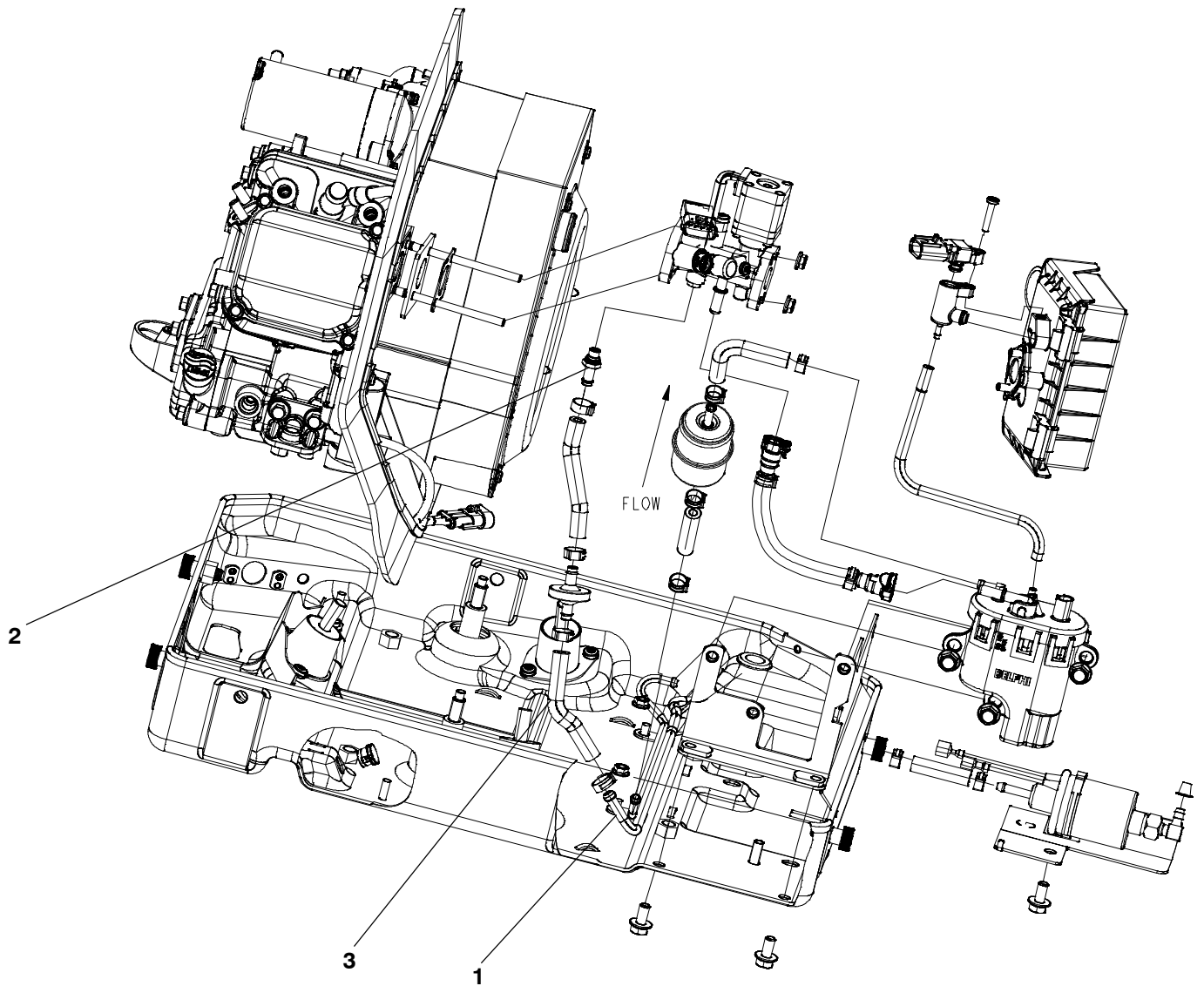
Item	Part No.	Description	Qty
1	A062A945	Bracket, Fuel Pump	1
2	A057B750	Pump, Injection	1
3	A057S185	Body, Throttle	1
4	A060H973	Hose, Fuel (Includes Fuel Line Adapters)	1
5	A060G731	Tube, Fuel	1
6	A062A970	Filter, Fuel	1
7	A060U210	Adapter, Sensor	1
8	A057L063	Sensor, Pressure	1
9	A060C837	Bracket, Fuel Pump	1
10	A047N921	Pump, Fuel	1
11	A057B741	Adapter, Fuel Line (Straight)	2
12	A057B734	Injector, Fuel	1
13	A057Y720	Sensor, Pressure	1

## Fuel System – LPG



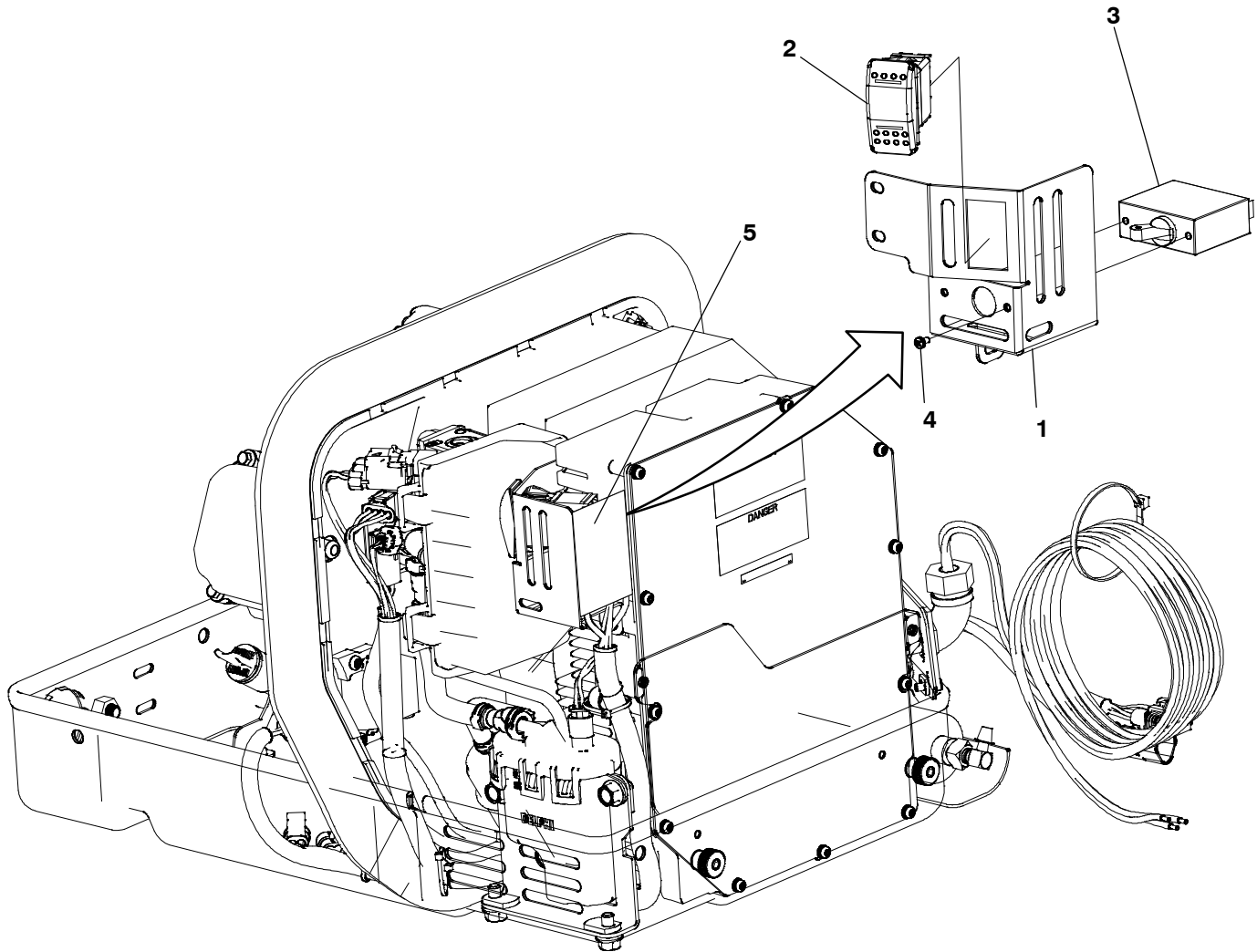
Item	Part No.	Description	Qty
1	A034W123	Solenoid, Fuel	1
2	A062A951	Bracket, Regulator	1
3	A060G729	Tube, Fuel	1
4	A060J298	Regulator, Fuel	1
5	A057X303	Mixer	1
6	0148-1158	Screen, Air Filter	1
7	A062G654	Insert	1
8	A059Y000	Hose, Vent	1

### Fuel System (EPI EVAP)



Item	Part No.	Description	Qty
1	A062T805	Tube, Fuel	1
2	A062T791	Fitting, Hose Connector	1
3	A062T924	Hose, Fuel	2

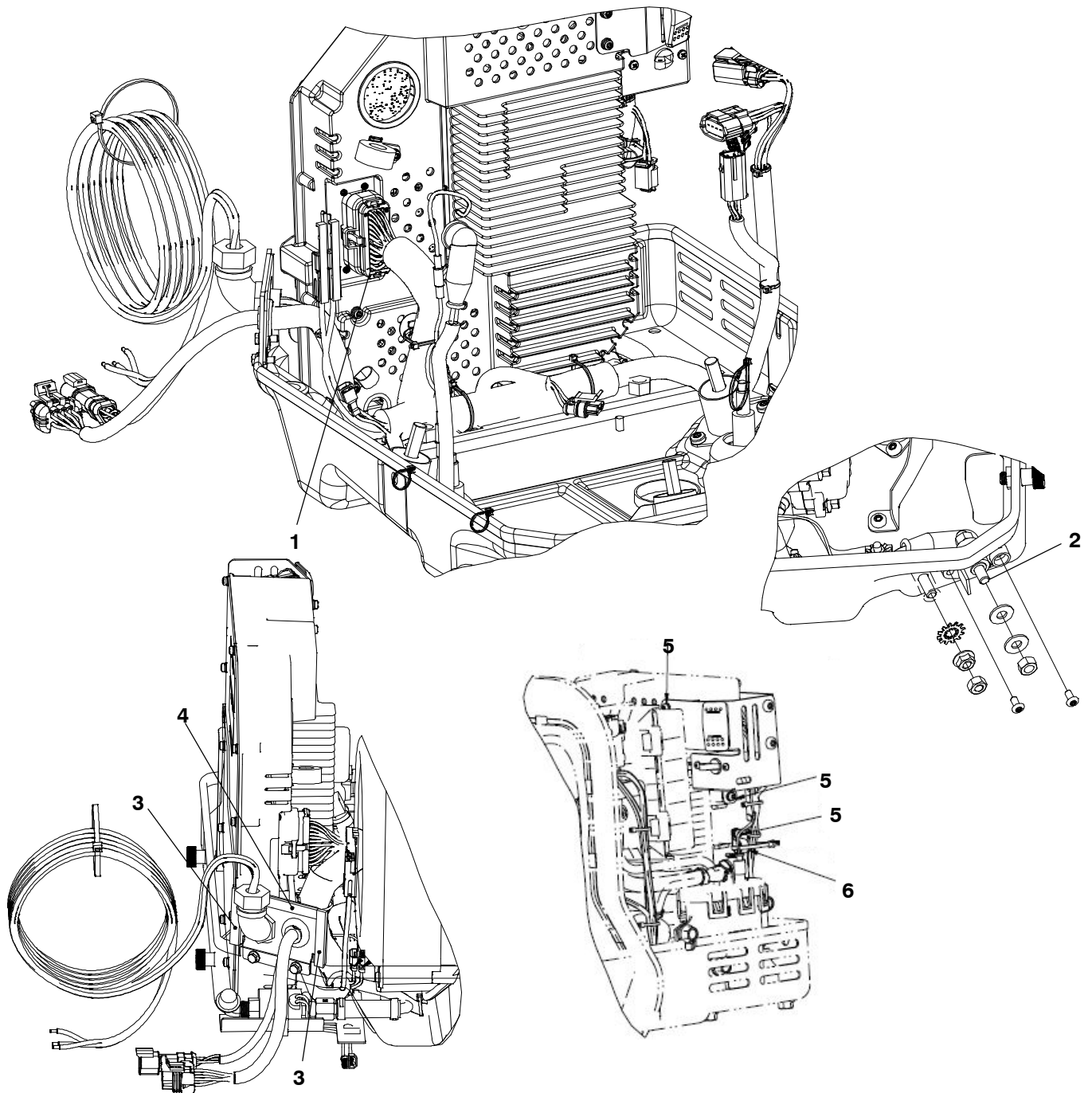
**Harness**  
**(Gasoline and EVAP)**  
**(Illustration #1)**



Item	Part No.	Description	Qty
1	A060D237	Bracket, Switch	1
2	0308-1038	Switch, Rocker	1
3	0320-2434-04	Breaker, Circuit (30A)	1
4	0815-0549	Screw, Pan Head	2
5	A064Y032	Guard, Switch	1

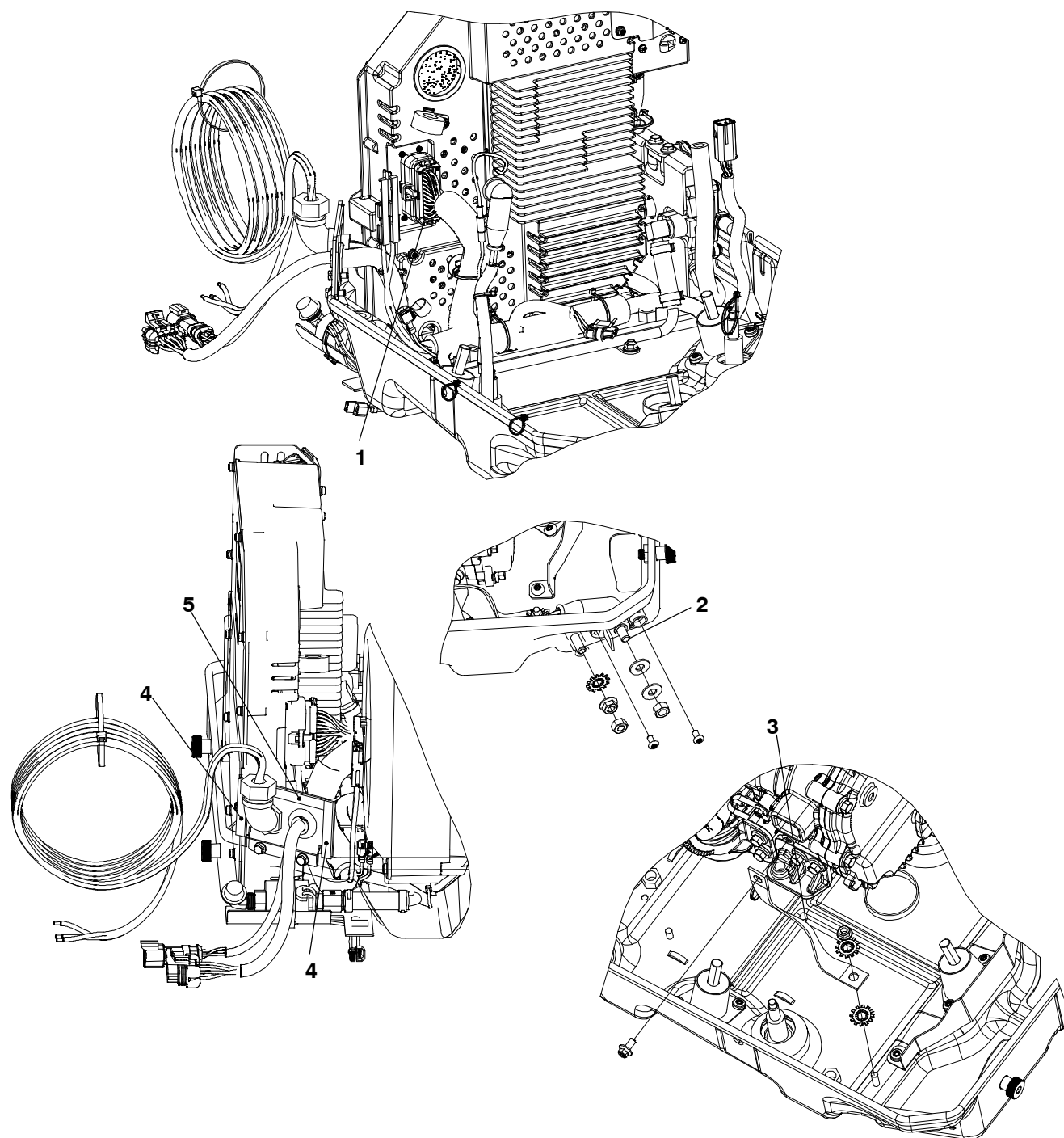


### Harness (Gasoline and EVAP) (Illustration #2)



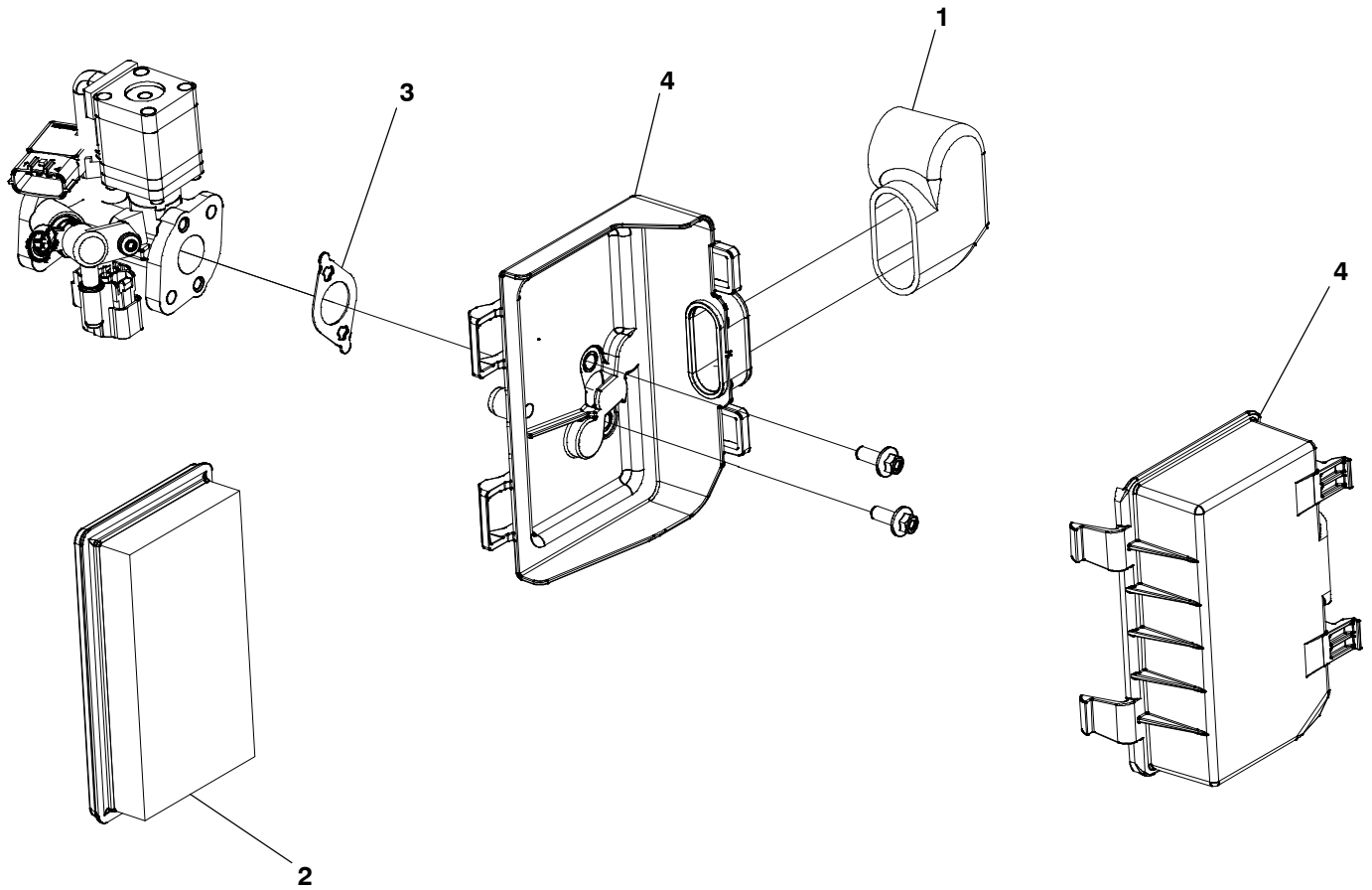
Item	Part No.	Description	Qty
1	A065N326	Harness, Engine	1
2	A042W129	Block, Terminal	2
3	A062K626	Gasket	2
4	A062K624	Gasket	1
5	0819-1165-02	Screw, Pan Head	3
6	A056R208	Clamp	1

## Harness (LPG)



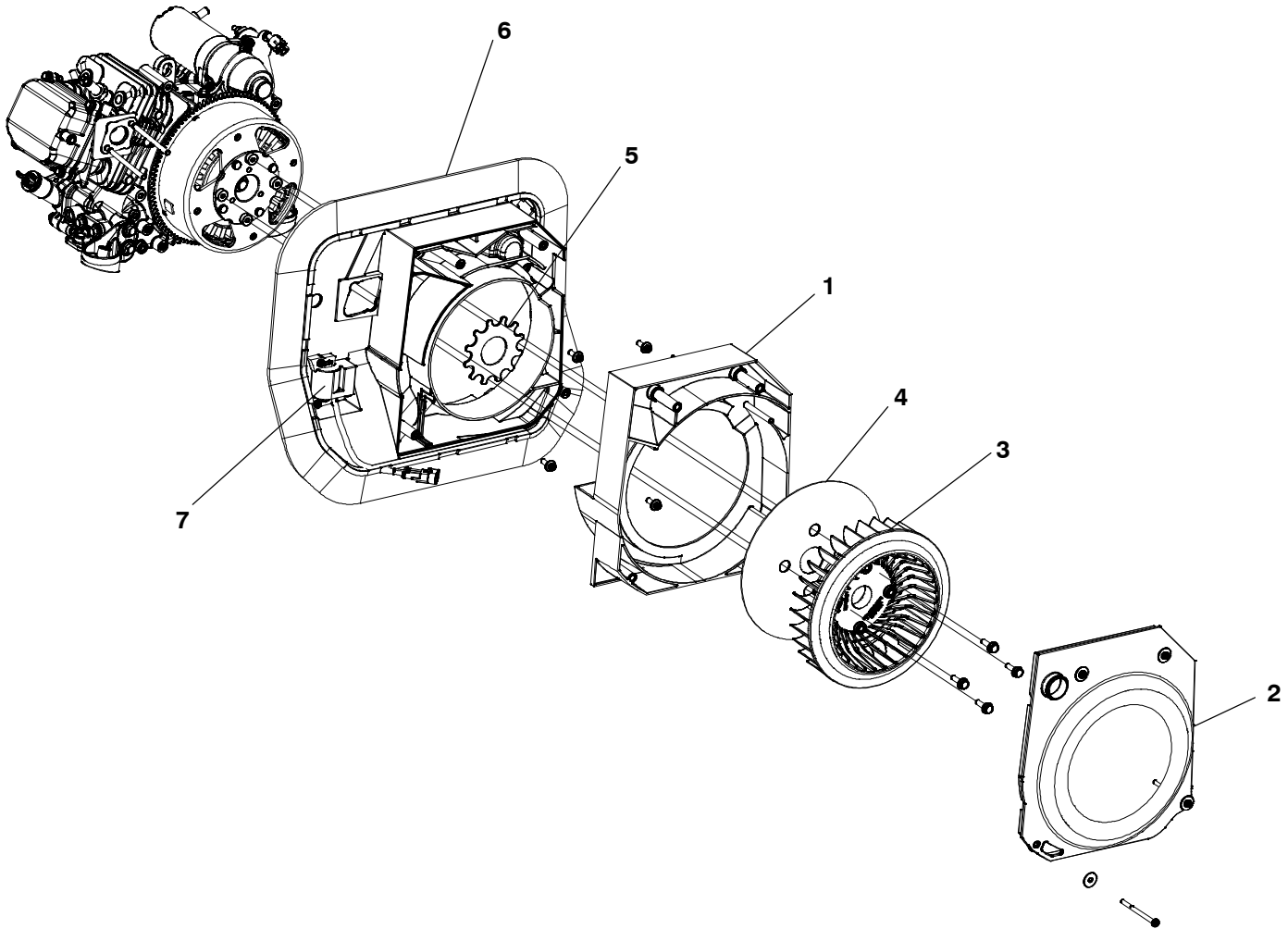
Item	Part No.	Description	Qty
1	A065N327	Harness, Engine (LPG)	1
2	A042W129	Block, Terminal	1
3	0337-3467	Strap, Bond	1
4	A062K626	Gasket	2
5	A062K624	Gasket	1

## Air Filter



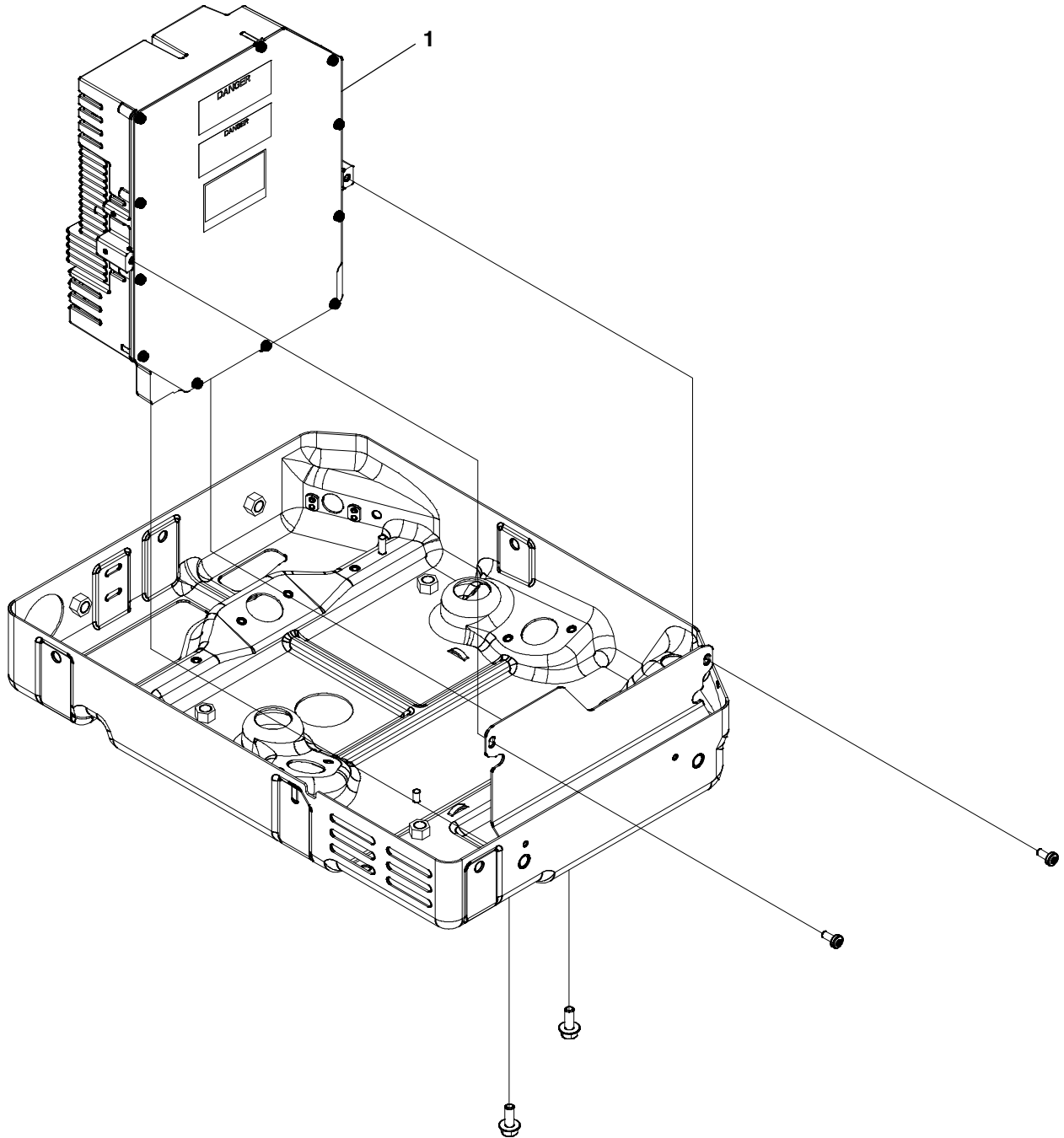
Item	Part No.	Description	Qty
1	A059P929	Grommet, Rubber	1
2	A030Y328	Filter, Air	1
3	A060L761	Gasket, Air Filter	1
4	A060W101	Housing, Air Filter (Assembly)	1

## Engine Cooling



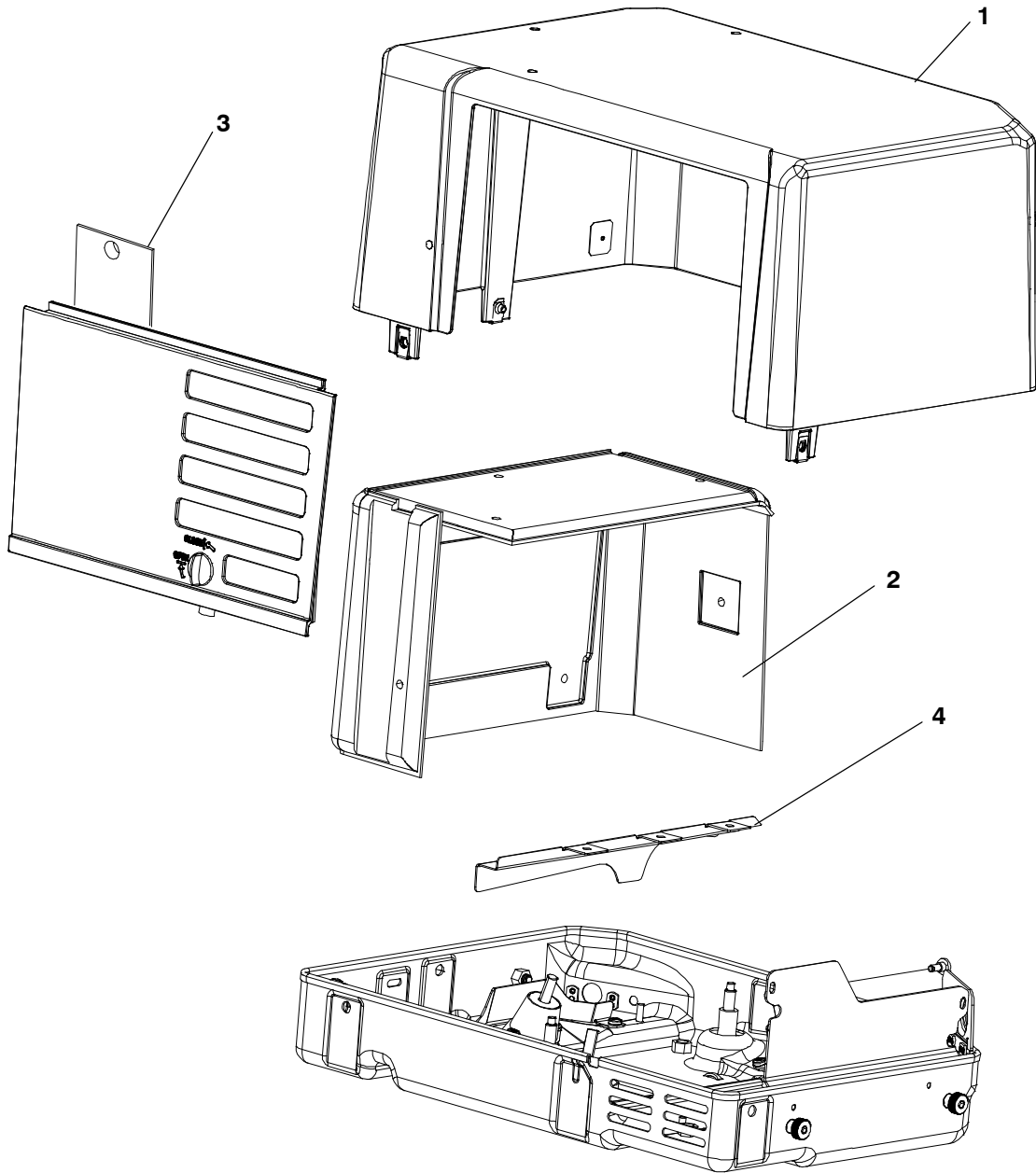
Item	Part No.	Description	Qty
1	A057X583	Panel, Air Baffle	1
2	A057U198	Cover	1
3	A058A101	Fan	1
4	A058A099	Backplate, Fan	1
5	A061R805	Spacer, Fan	1
6	A064B719	Panel, Air Baffel	1
7	A059W499	Coil, Ignition	1

## Control



Item	Part No.	Description	Qty
1	A064G208	Inverter (Pre-Programmed)	1

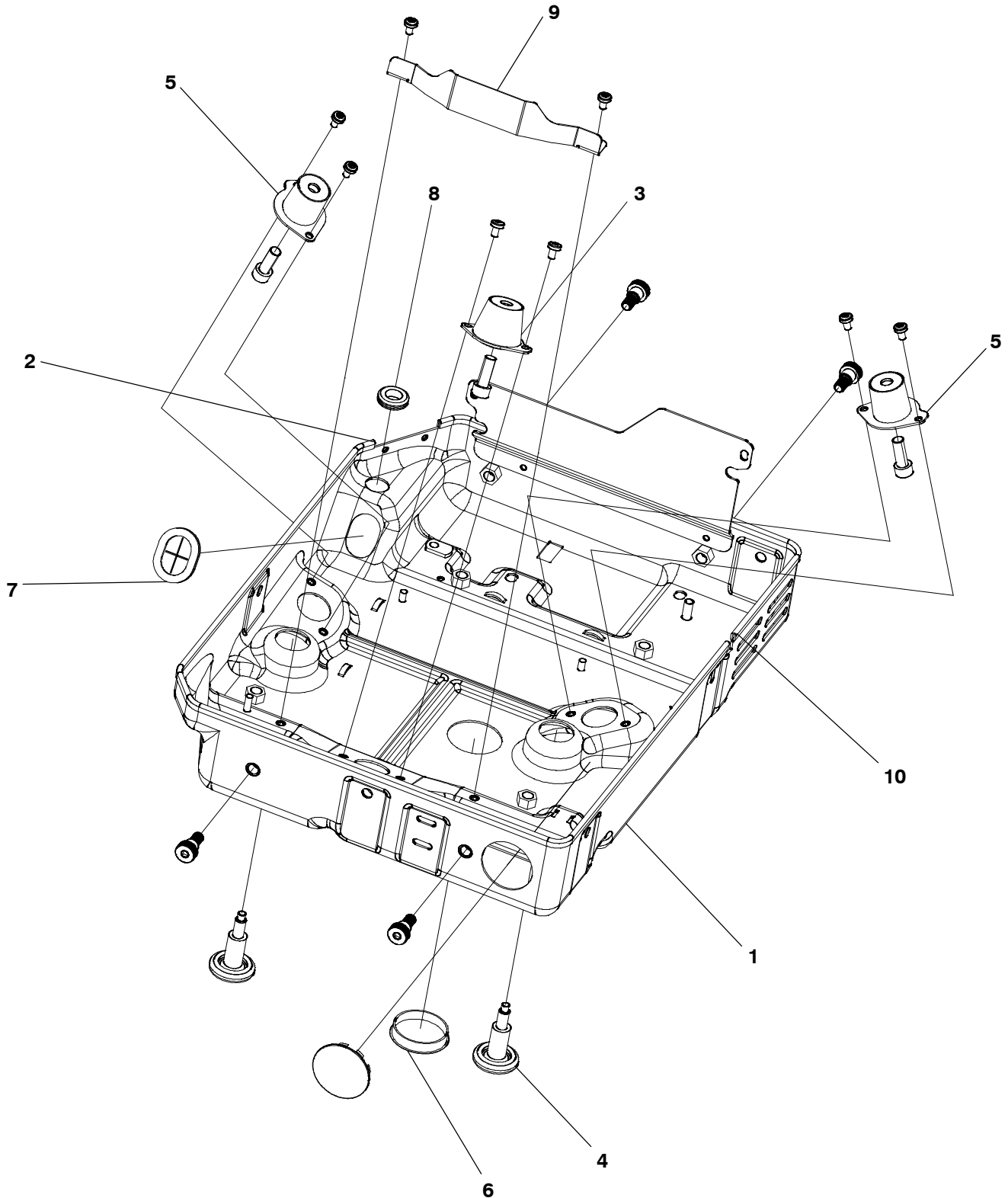
**Enclosure**



Item	Part No.	Description	Qty
1	A057M313	Cover, Enclosure Assembly (Includes Door)	1
2	A059V462	Insulation, Cover	1
3	A062F793	Insulation, Door	1
4	A062G994	Panel, Air Baffle	1

This page is Intentionally blank.

## Mounting System

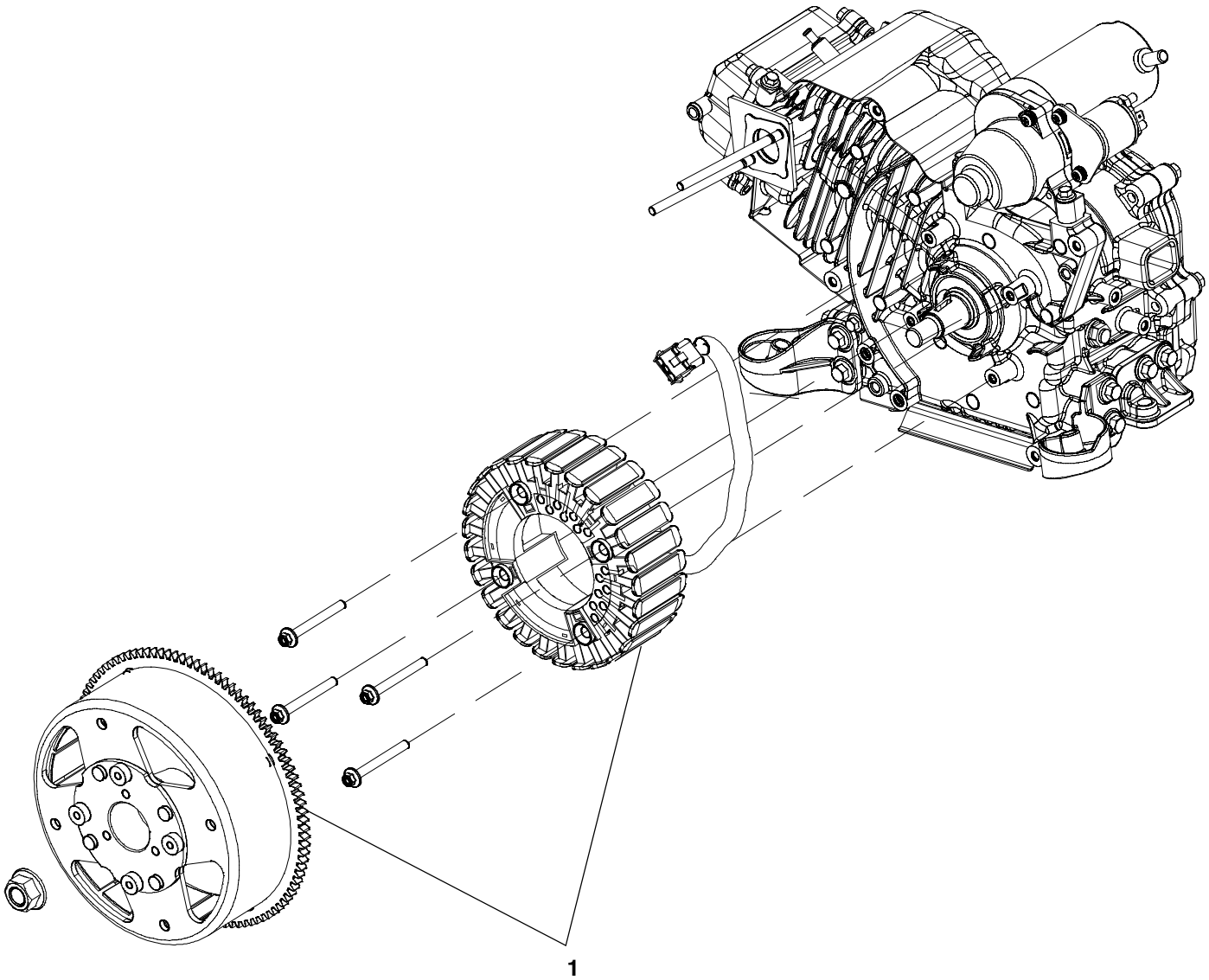




## Mounting System

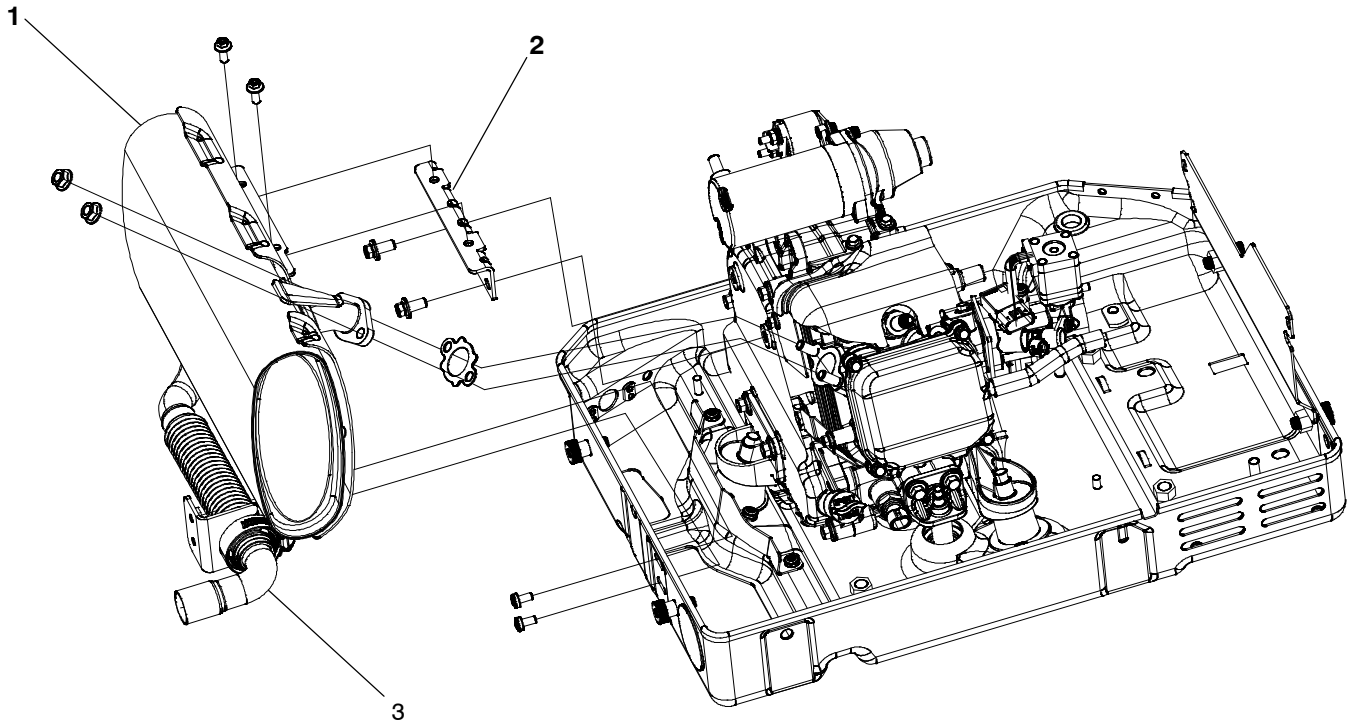
Item	Part No.	Description	Qty
1	A065W309	Base, Drip Pan	1
2	A060U567	Edging	1
3	A061Y879	Isolator	1
4	A035R160	Screw, Failsafe	2
5	A061Y881	Isolator	2
6	0517-0138-08	Plug, Hole	1
7	A042W826	Grommet, Rubber	1
8	0508-0071	Grommet, Rubber	1
9	A062H143	Bracket, Heat Shield	1
10	A063G693	Edging	1

**PMA**



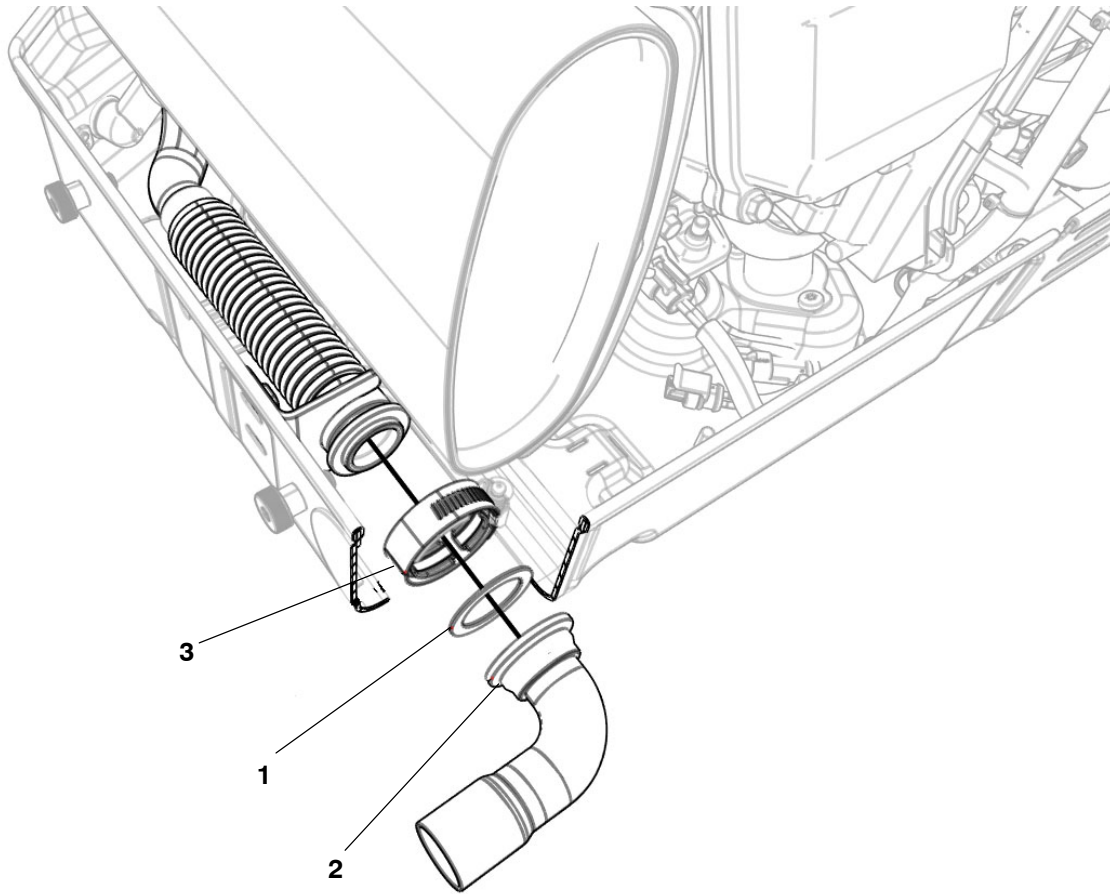
Item	Part No.	Description	Qty
1	A057Y741	Generator	1

## Exhaust



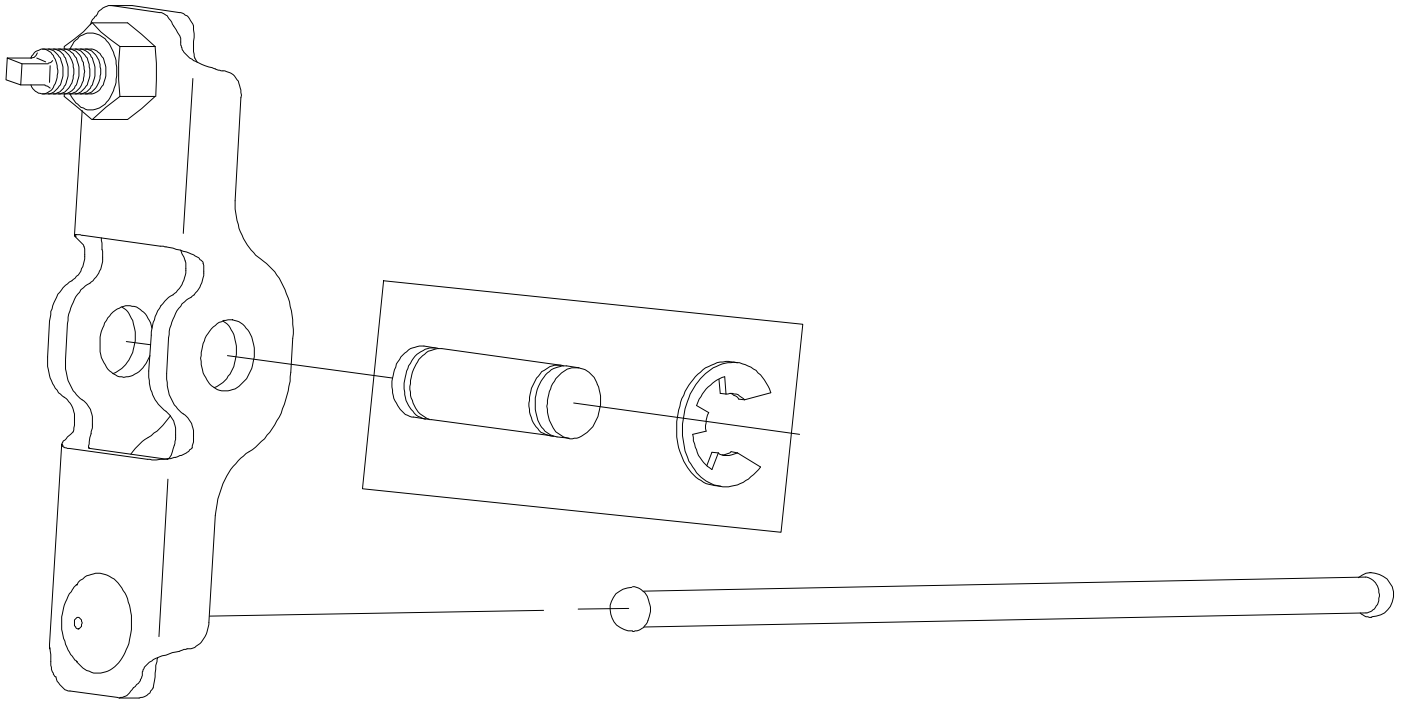
Item	Part No.	Description	Qty
1	A057K772	Silencer, Exhaust	1
2	A060N185	Support, Muffler	1
3	A062C845	Pipe, Exhaust	1

## Muffler Accessory Kit



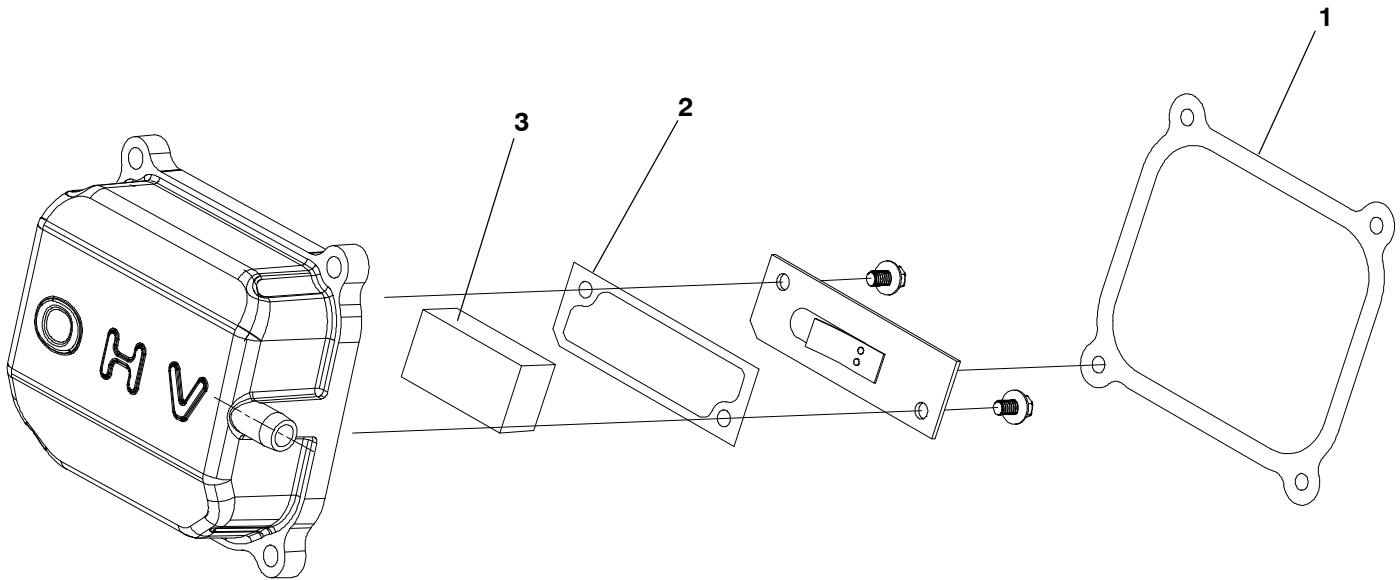
Item	Part No.	Description	Qty
	A062M244	Kit, Muffler Accessory (Includes Parts Marked *)	
1	A061U009	* Gasket, Exhaust	1
2	A062C845	* Pipe, Exhaust	1
3	A062D737	* Clamp	1

## Rocker Arm Kit



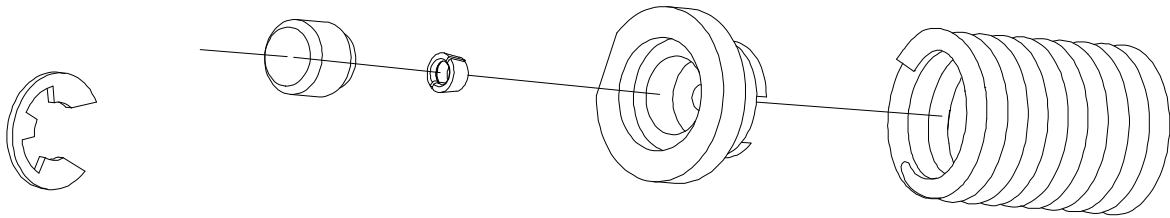
Item	Part No.	Description	Qty
	A063E138	Kit, Rocker Arm (Includes Push Rod, Rocker Arm, and Rocker Arm Shaft)	1

## Assembly Cover Kit



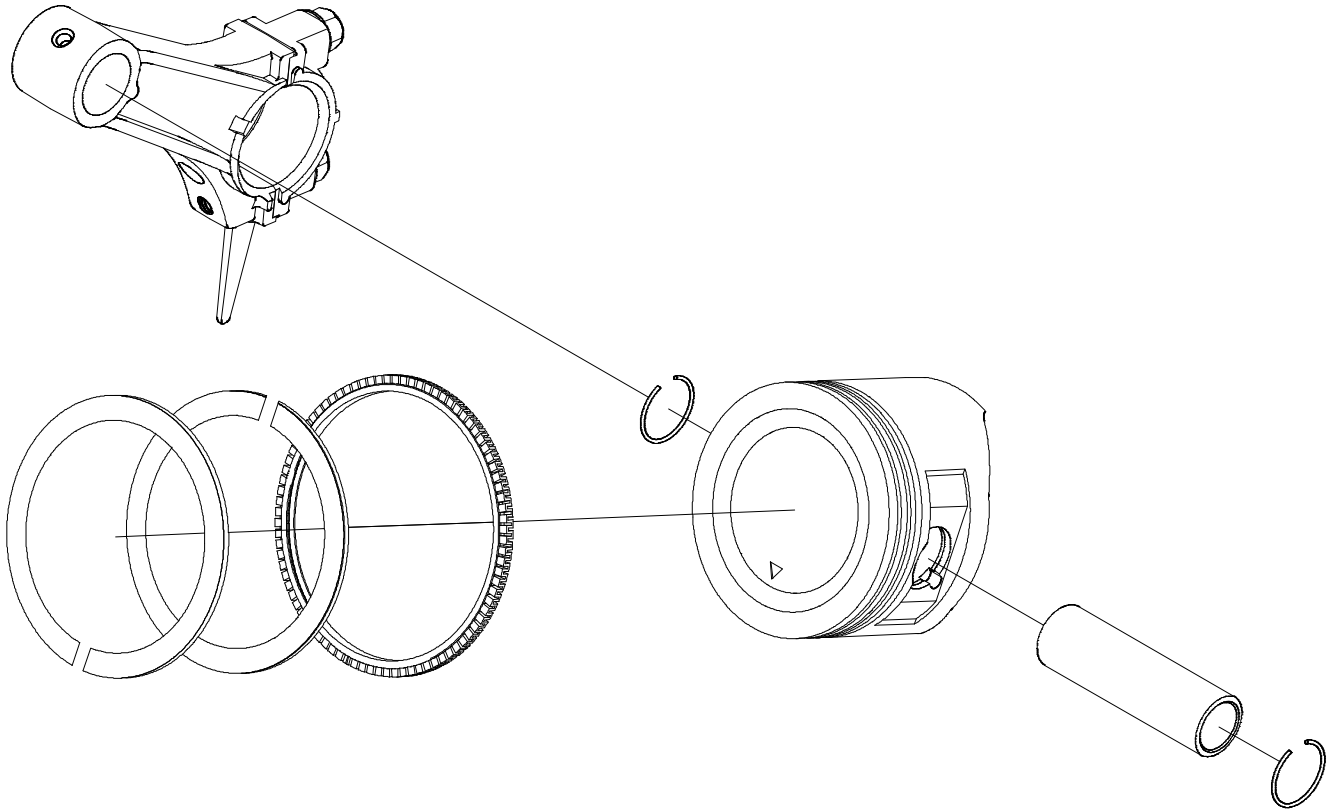
Item	Part No.	Description	Qty
	A063E136	Kit, Assembly Cover (Includes Valve Cover, Breather Cover, Breather Filter, and Gaskets)	1
1	A063E037	Gasket Head Cover)	1
2	A063D855	Gasket (Breather Chamber)	1
3	A063C686	Filter, Breather	1

## Intake Valve Kit



Item	Part No.	Description	Qty
	A063E132	Kit, Intake Valve (Includes Lock Link, Spring Seat, Valve Cap, Circular Clip, and Valve Spring)	1

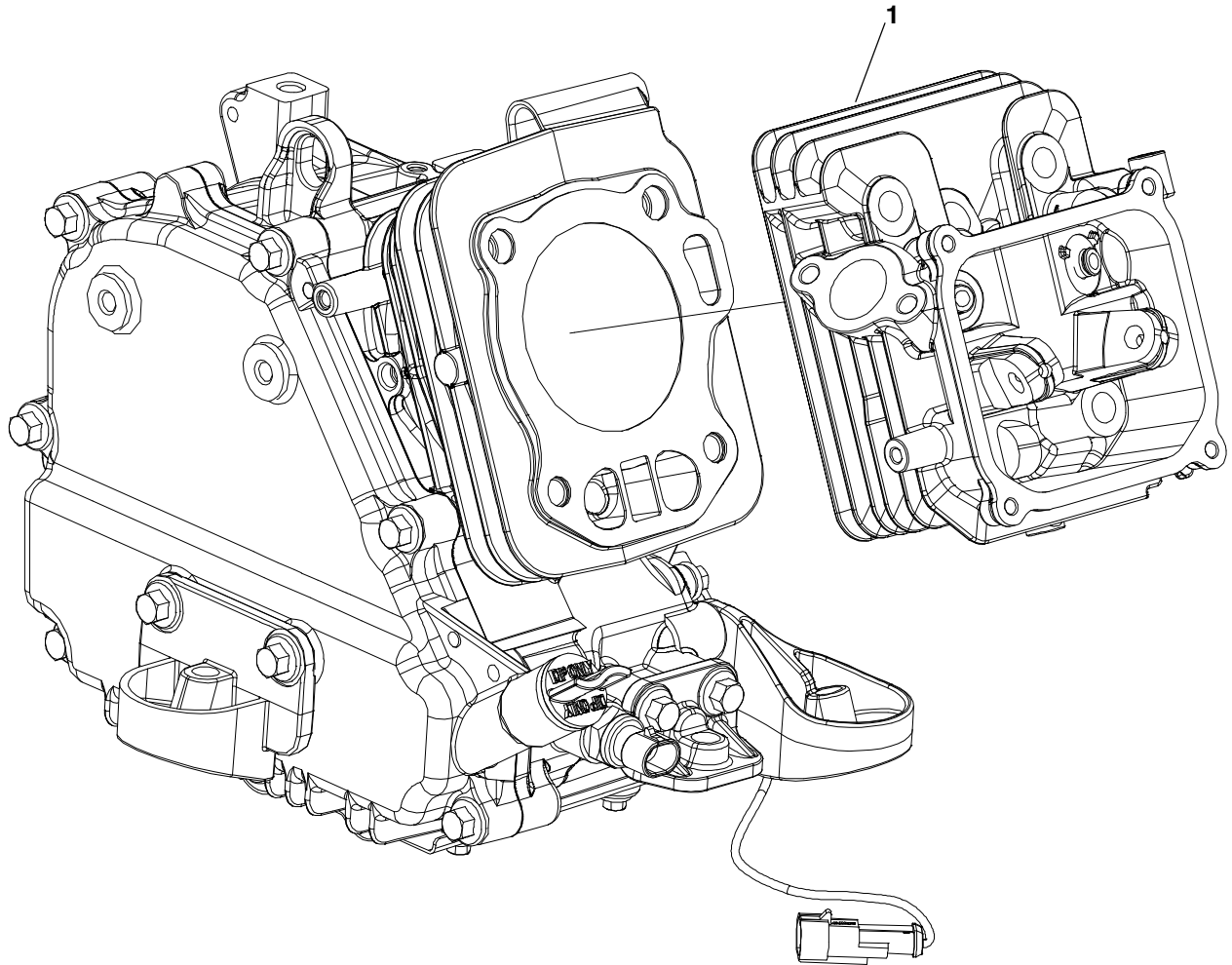
## Piston Kit



Item	Part No.	Description	Qty
	A063E129	Kit, Piston (Includes Snap Ring, Connecting Rod, Pistion Pin, Piston, and Piston Ring)	1

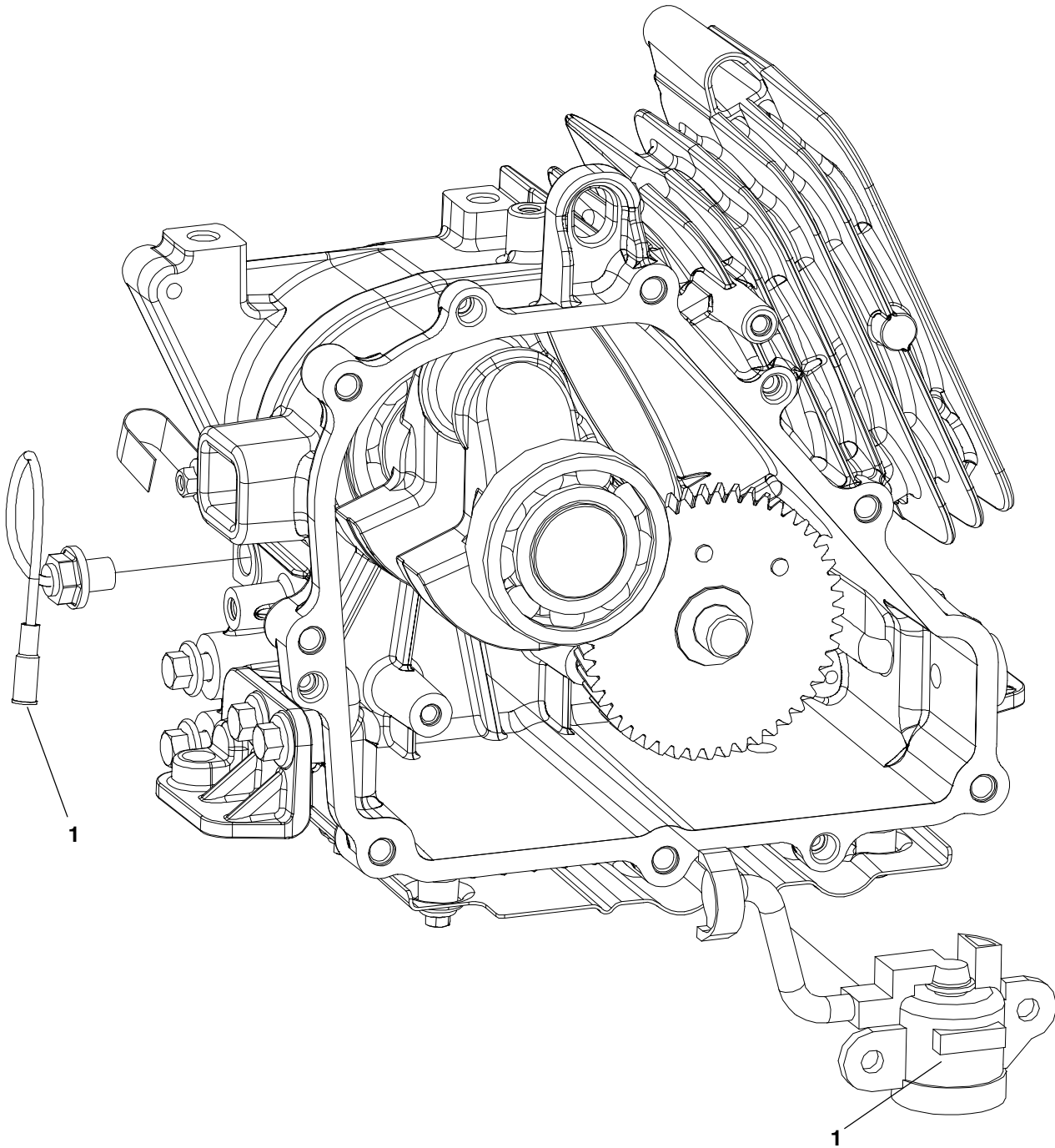


## Cylinder Head



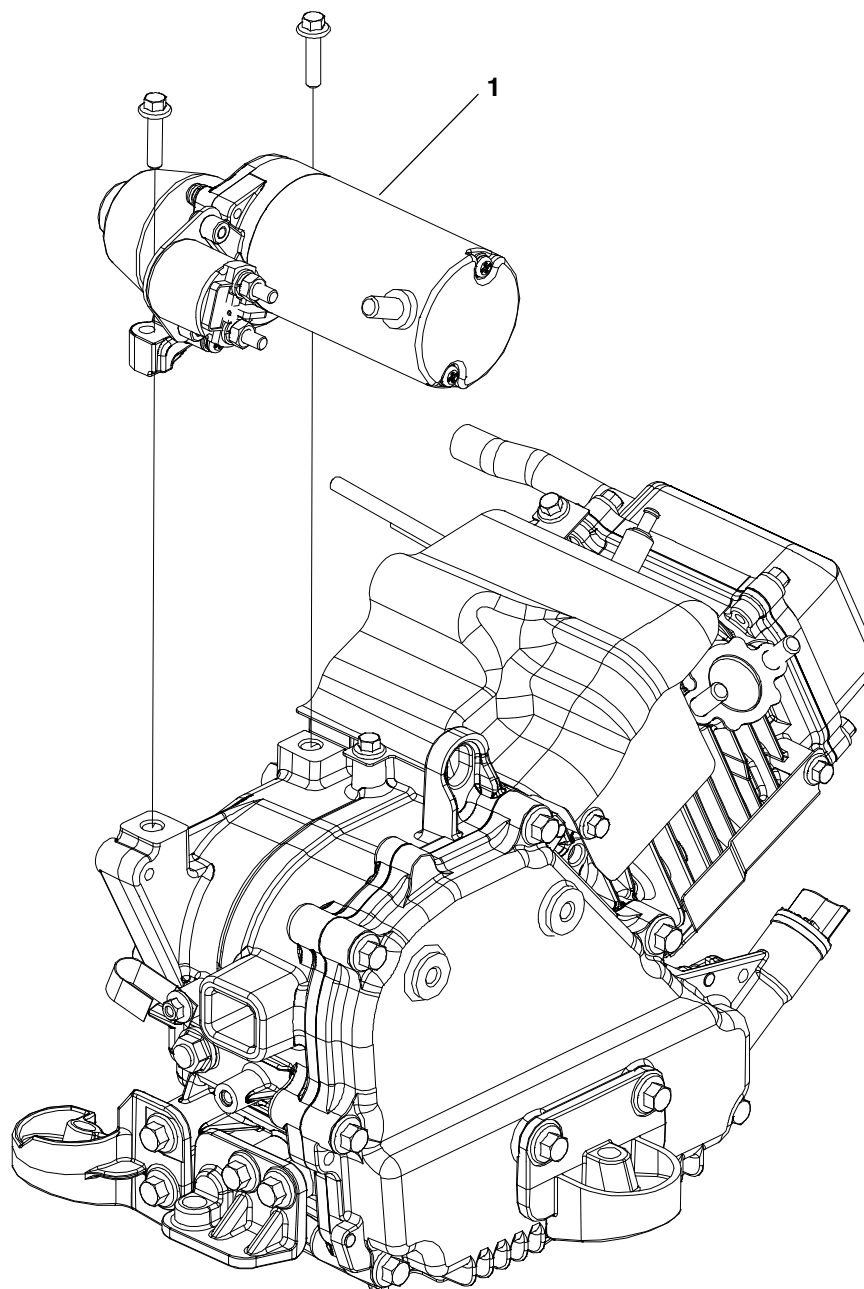
Item	Part No.	Description	Qty
1	A063E034	Head, Cylinder	1

## Oil Level Sensor



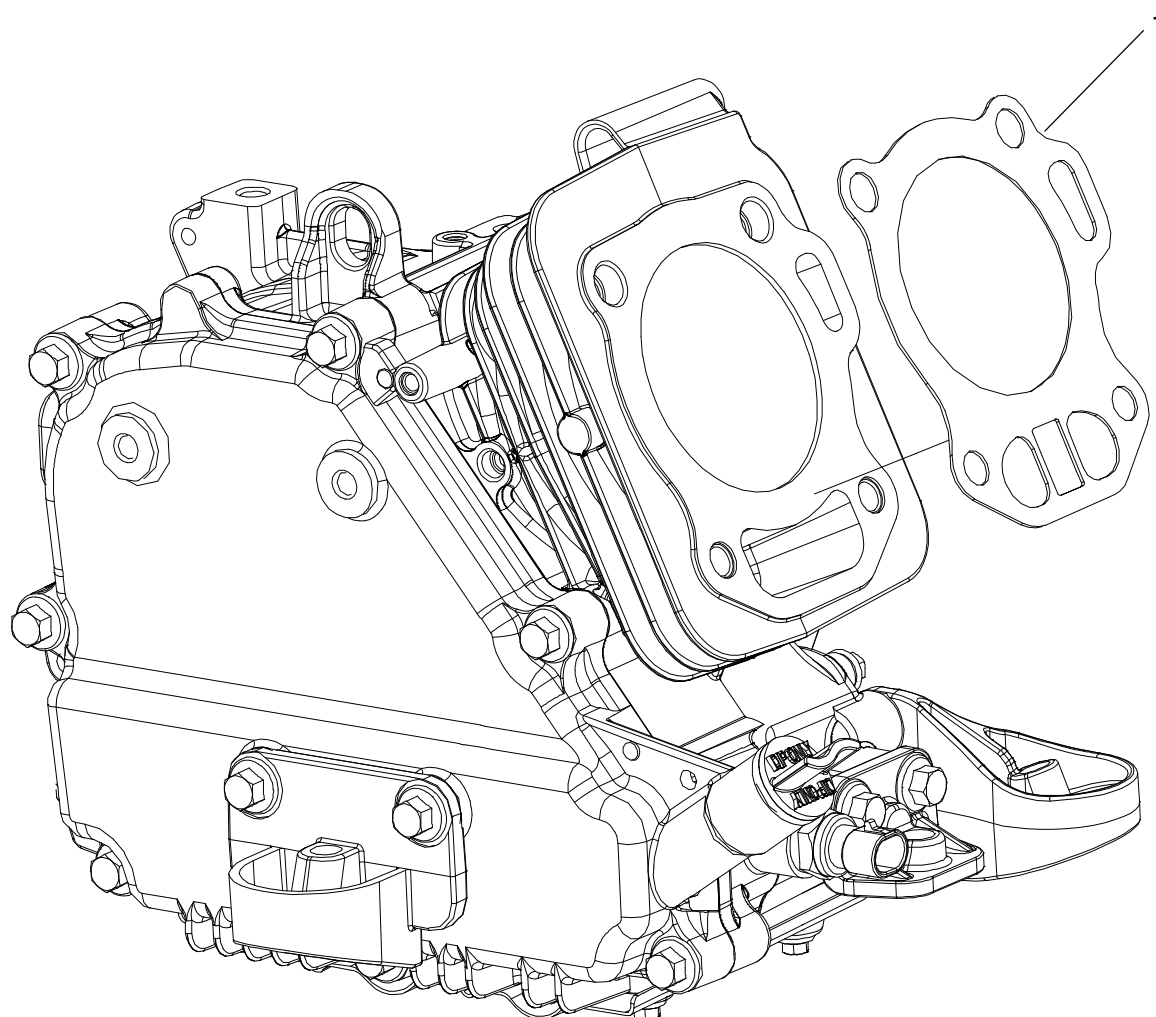
Item	Part No.	Description	Qty
1	A063D068	Sensor, Level	1

## Starter Motor



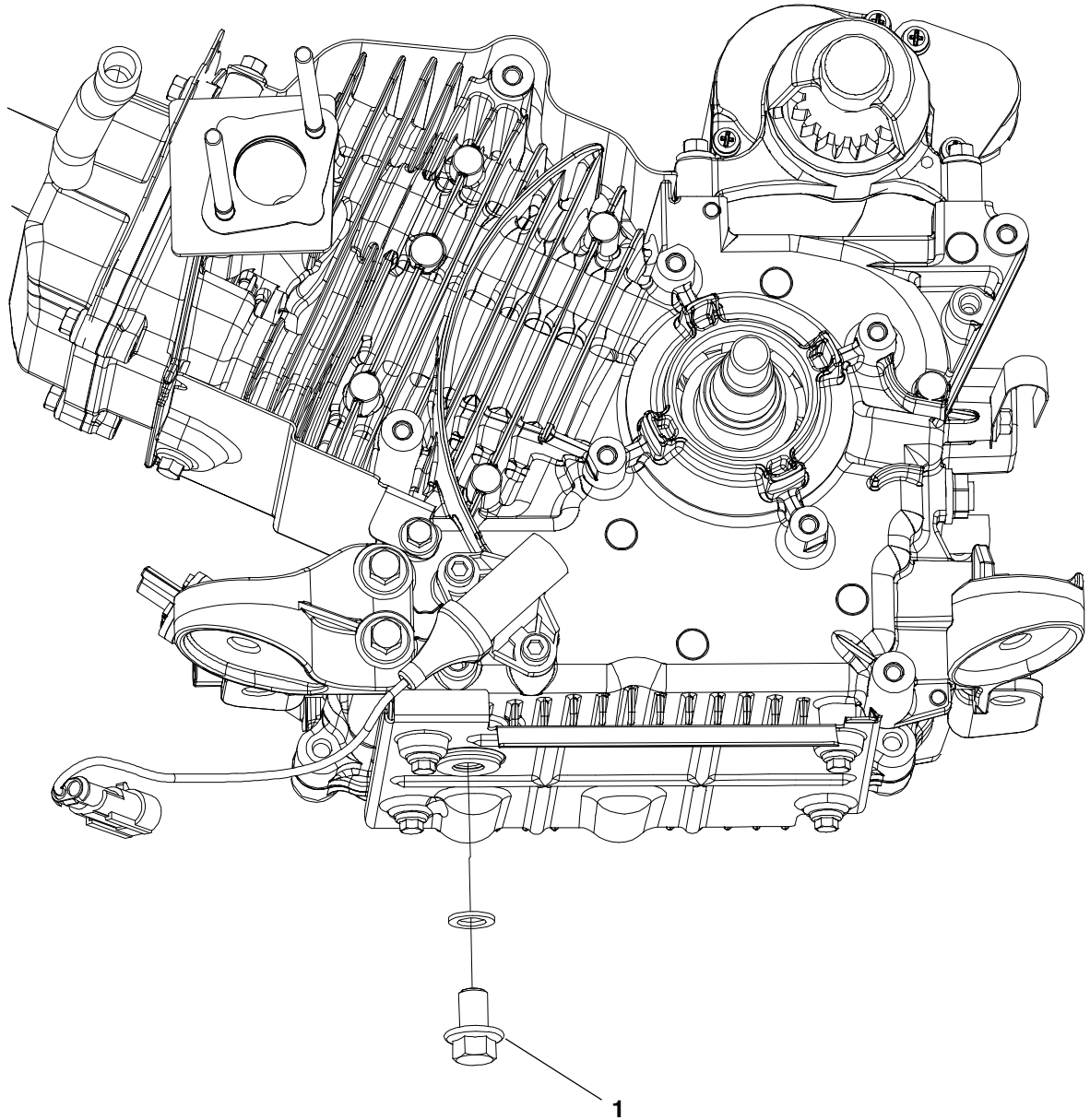
Item	Part No.	Description	Qty
1		Motor, Starter	
	A063E127	Gasoline	1
	A063V498	LP	1

## Crankcase Gasket



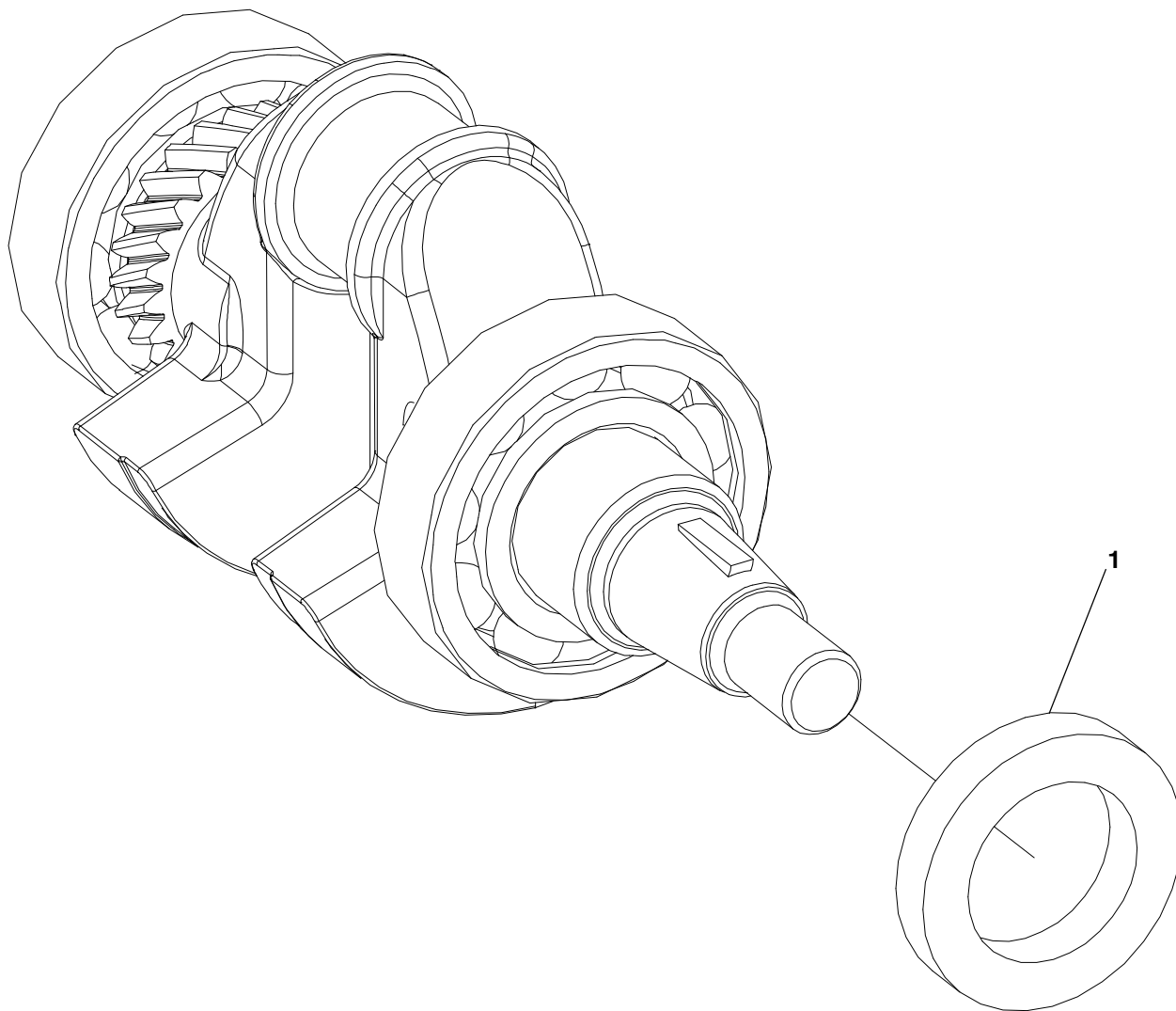
Item	Part No.	Description	Qty
1	A061Y865	Gasket, Crankcase	1

## Drain Plug



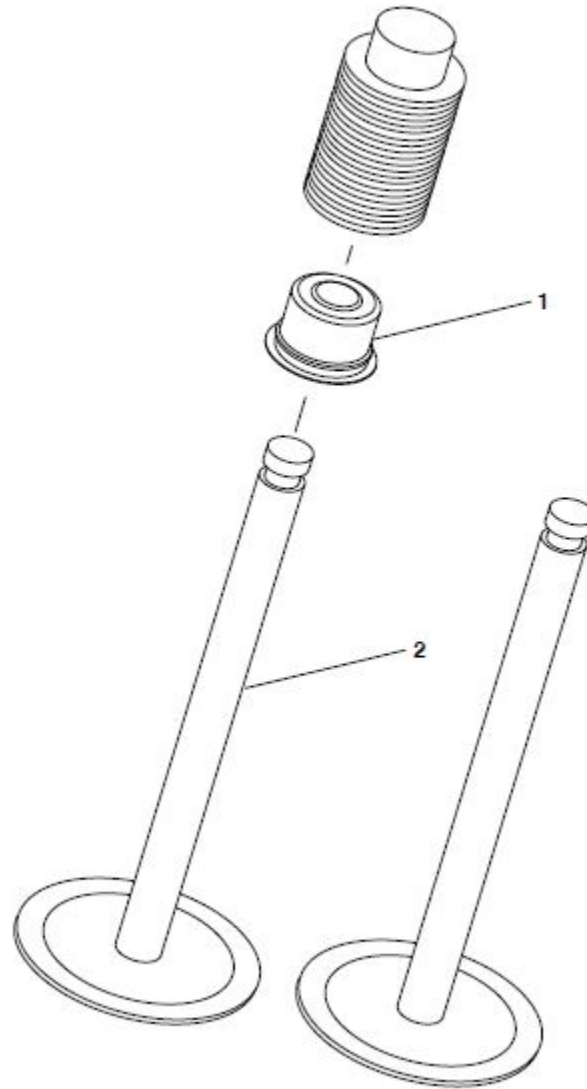
Item	Part No.	Description	Qty
1	A061Y859	Plug, Drain	1

### Crankcase / Crankshaft Oil Seal



Item	Part No.	Description	Qty
1	A063D835	Seal, Oil	1

### Oil Seal / Valve lit



Item	Part No.	Description	Qty
1	A063B884	Seal, Oil	1
2	A063E126	Kit, Valve	1

## Kits

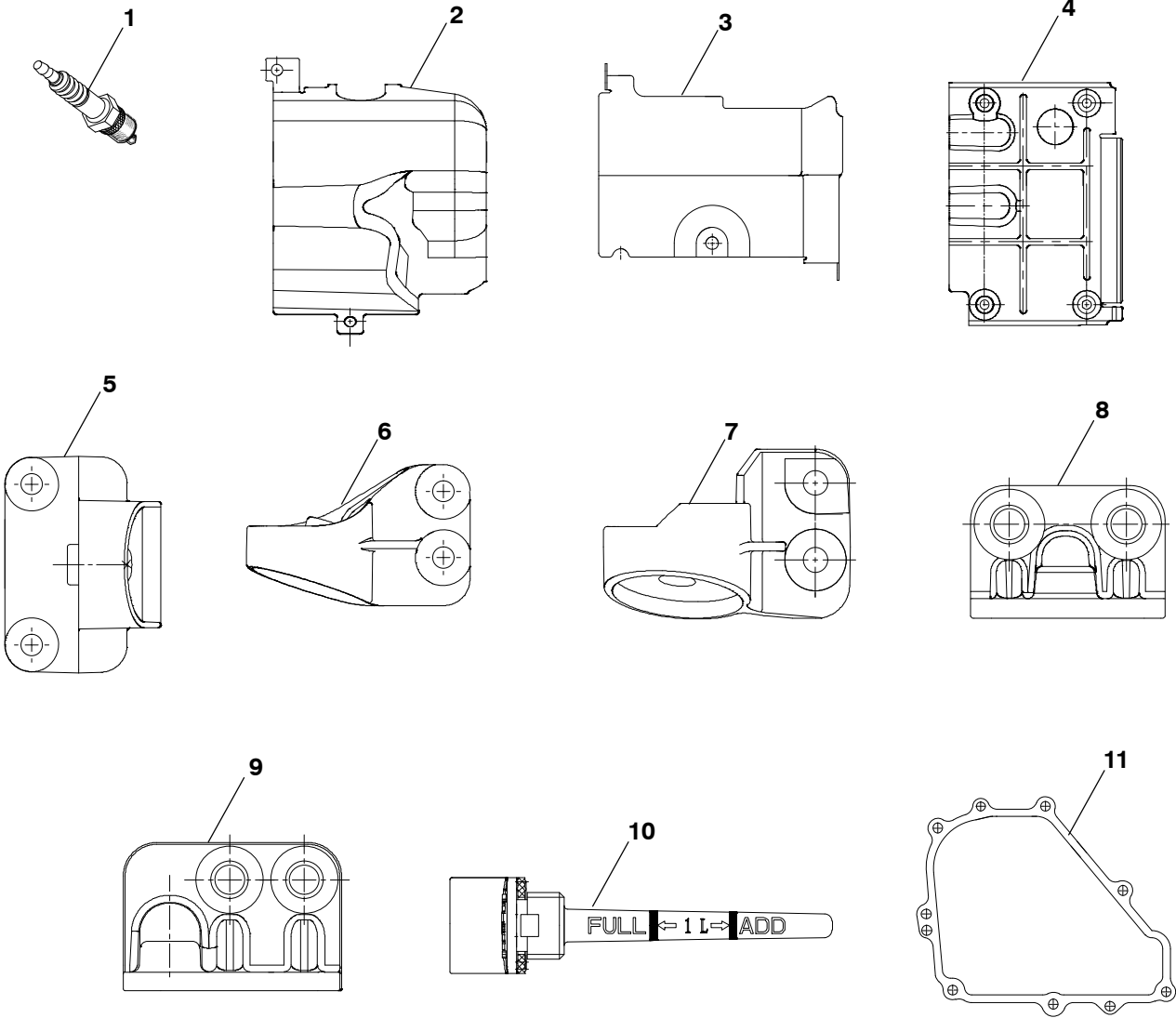
Item	Part No.	Description	Qty
	A063P557	Kit, Full Service	
1	0503-2309	Clamp, Hose	A/R
2	0517-0138-08	Plug, Hole	A/R
3	A030Y328	Filter, Air	A/R
4	A062A970	Filter, Fuel	A/R
5	A063D063	Plug, Spark	A/R
6	A063E183	Oil, Lubricating	A/R

Item	Part No.	Description	Qty
	A063N529	Kit, Fuel Filter	
1	A062A970	Filter, Fuel	A/R
2	0503-2309	Clamp, Hose	A/R

Item	Part No.	Description	Qty
	A063N523	Kit, Non-Oil	
1	A062A970	Filter, Fuel	A/R
2	A030Y328	Filter, Air	A/R
3	0503-2309	Clamp, Hose	A/R
4	A063D063	Plug, Spark	A/R



### Engine Service Parts



Item	Part No.	Description	Qty
1	A063D063	Plug, Spark	1
2	A063E051	Baffle, Air (Upper Cylinder Head)	1
3	A063E052	Baffle, Air (Lower Cylinder Head)	1
4	A063E052	Baffle, Air (Lower)	1
5	A063E057	Bracket, Engine Mounting (Left)	1
6	A063E058	Bracket, Engine Mounting (Right Front)	1
7	A063E059	Bracket, Engine Mounting (Left Front)	1
8	A063E060	Bracket, Front Failsafe Mounting	1
9	A063E061	Bracket, Rear Failsafe Mounting	1
10	A063D836	Dipstick	1
11	A063D837	Gasket, Crankcase	1

This page is Intentionally blank.

## Topical Index

### A

Adapter, Fuel Line (Straight), **11**  
Adapter, Sensor, **11**

### B

Backplate, Fan, **18**  
Baffle, Air, **39**  
Base, Drip Pan, **23**  
Block, Terminal, **15 , 16**  
Body, Throttle, **11**  
Bracket, Engine Mounting, **39**  
Bracket, Fuel Pump, **11**  
Bracket, Heat Shield, **23**  
Bracket, Mounting, **39**  
Bracket, Regulator, **12**  
Bracket, Switch, **14**  
Breaker, Circuit, **14**

### C

Coil, Ignition, **18**  
Control, **19**  
Cooling, Engine, **18**  
Cover, **18**  
Cover, Enclosure Assembly, **20**

### D

Dipstick, **39**

### E

Edging, **23**  
Enclosure, **20**  
Engine, Spark Ignited, **9**

### F

Fan, **18**

Filter, Air, **17 , 38**  
Filter, Breather, **28**  
Filter, Fuel, **11 , 38**  
Fitting, Hose Connector, **13**  
Fuel System (EPI EVAP), **13**  
Fuel System (Gasoline), **11**  
Fuel System – LPG, **12**

### G

Gasket, **16 , 28**  
Gasket, Air Filter, **17**  
Gasket, Crankcase, **34 , 39**  
Gasket, Exhaust, **26**  
Gasket, Intake Manifold, **9**  
Generator, **24**  
Grommet, Rubber, **17 , 23**

### H

Harness (Gasoline and EVAP), **14 , 15**  
Harness, Engine, **15**  
Harness, Engine (LP), **16**  
Head, Cylinder, **31**  
Hose, Fuel, **11 , 13**  
Housing, Air Filter, **17**

### I

Injector, Fuel, **11**  
Insert, **12**  
Insulation, Cover, **20**  
Insulation, Door, **20**  
Inverter, **19**  
Isolator, **23**

### K

Kit, Assembly Cover, **28**

## Index (Continued)

Kit, Fuel Filter, **38**  
Kit, Full Service, **38**  
Kit, Intake Valve, **29**  
Kit, Muffler Accessory, **26**  
Kit, Piston, **30** , **32** , **33**  
Kit, Rocker Arm, **27**  
Kit, Valve, **38**

### M

Mixer, **12**  
Motor, Starter, **33**  
Mounting System, **23**

### P

Paint and Thread Sealant, **7**  
Panel, Air Baffle, **18**  
Panel, Air Baffle, **18** , **20**  
Parts, Engine Service, **39**  
Pipe, Exhaust, **26**  
Plug, Drain, **35**  
Plug, Hole, **23**  
Plug, Spark, **39**  
PMA, **24**

Pump, Fuel, **11**  
Pump, Injection, **11**

### R

Regulator, Fuel, **12**

### S

Screen, Air Filter, **12**  
Sensor, Level, **32**  
Sensor, Oil Temperature, **9**  
Sensor, Pressure, **11**  
Service Consumables, **7**  
Silencer, Exhaust, **25**  
Solenoid, Fuel, **12**  
Spacer, **9**  
Spacer, Fan, **18**  
Strap, Bond, **16**  
Switch, Rocker, **14**

### T

Tachometer, **9**  
Tube, Fuel, **11** , **12** , **13**

# Numerical Index

<u>Part No.</u>	<u>Page</u>	<u>Part No.</u>	<u>Page</u>	<u>Part No.</u>	<u>Page</u>	<u>Part No.</u>	<u>Page</u>
0148–1158, <b>12</b>		A057X583, <b>18</b>		A061Y879, <b>23</b>		A063E051, <b>39</b>	
0308–1038, <b>14</b>		A057Y720, <b>11</b>		A061Y881, <b>23</b>		A063E052, <b>39</b>	
0320–2434–04, <b>14</b>		A057Y741, <b>24</b>		A062A945, <b>11</b>		A063E055, <b>7 , 9 , 39</b>	
0337–3467, <b>16</b>		A058A099, <b>18</b>		A062A951, <b>12</b>		A063E056, <b>9</b>	
0503–2309, <b>38</b>		A058A101, <b>18</b>		A062A970, <b>7 , 11 , 38</b>		A063E057, <b>39</b>	
0508–0071, <b>23</b>		A059L176, <b>9</b>		A062C845, <b>25 , 26</b>		A063E058, <b>39</b>	
0517–0138–08, <b>23 , 38</b>		A059P929, <b>17</b>		A062D737, <b>26</b>		A063E059, <b>39</b>	
0815–0549, <b>14</b>		A059V462, <b>20</b>		A062F793, <b>20</b>		A063E060, <b>39</b>	
0819–1165–02, <b>15</b>		A059W499, <b>18</b>		A062G654, <b>12</b>		A063E061, <b>39</b>	
525–0305, <b>7</b>		A059Y000, <b>12</b>		A062G994, <b>20</b>		A063E126, <b>37</b>	
A030Y328, <b>7 , 17 , 38</b>		A060C837, <b>11</b>		A062H143, <b>23</b>		A063E127, <b>33</b>	
A035R160, <b>23</b>		A060C884, <b>12</b>		A062K624, <b>15 , 16</b>		A063E129, <b>30</b>	
A041J068, <b>9</b>		A060D237, <b>14</b>		A062K626, <b>15 , 16</b>		A063E132, <b>29</b>	
A042W129, <b>15 , 16</b>		A060G729, <b>12</b>		A062M244, <b>26</b>		A063E138, <b>27 , 28</b>	
A042W826, <b>23</b>		A060G731, <b>11</b>		A062T791, <b>13</b>		A063E183, <b>38</b>	
A047N921, <b>11</b>		A060H973, <b>11</b>		A062T805, <b>13</b>		A063G693, <b>23</b>	
A056R208, <b>15</b>		A060J298, <b>12</b>		A062T924, <b>13</b>		A063N523, <b>38</b>	
A057B734, <b>11</b>		A060K886, <b>9</b>		A063B884, <b>37</b>		A063N529, <b>38</b>	
A057B741, <b>11</b>		A060L761, <b>17</b>		A063C686, <b>7 , 28</b>		A063P557, <b>38</b>	
A057B750, <b>11</b>		A060N185, <b>25</b>		A063D063, <b>38</b>		A063V498, <b>33</b>	
A057K555, <b>9</b>		A060U210, <b>11</b>		A063D068, <b>32</b>		A064B719, <b>18</b>	
A057K772, <b>25</b>		A060U567, <b>23</b>		A063D835, <b>36</b>		A064G208, <b>19</b>	
A057L063, <b>11</b>		A060W101, <b>17</b>		A063D836, <b>39</b>		A064Y032, <b>14</b>	
A057M313, <b>20</b>		A061R805, <b>18</b>		A063D837, <b>39</b>		A065N326, <b>15</b>	
A057S185, <b>11</b>		A061U009, <b>26</b>		A063D855, <b>28</b>		A065N327, <b>16</b>	
A057U198, <b>18</b>		A061Y859, <b>35</b>		A063E034, <b>31</b>		A065W309, <b>23</b>	
A057X303, <b>12</b>		A061Y865, <b>34</b>		A063E037, <b>28</b>			

This page is Intentionally blank.



[power.cummins.com](http://power.cummins.com)

Copyright © 2021 Cummins Inc. All rights reserved.

Cummins, Onan, and the "C" logo are registered trademarks of Cummins Inc. and its subsidiaries.

Other company, product, or service names may be trademarks or service marks of others.

Specifications are subject to change without notice.

